

**Flash Microcontroller Programming Specification**

**1.0 DEVICE OVERVIEW**

This document includes the programming specifications for the following devices:

- PIC18F2221    • PIC18F2580    • PIC18F4480
- PIC18F2321    • PIC18F2585    • PIC18F4510
- PIC18F2410    • PIC18F2610    • PIC18F4515
- PIC18F2420    • PIC18F2620    • PIC18F4520
- PIC18F2423    • PIC18F2680    • PIC18F4523
- PIC18F2450    • PIC18F2682    • PIC18F4525
- PIC18F2455    • PIC18F2685    • PIC18F4550
- PIC18F2458    • PIC18F4221    • PIC18F4553
- PIC18F2480    • PIC18F4321    • PIC18F4580
- PIC18F2510    • PIC18F4410    • PIC18F4585
- PIC18F2515    • PIC18F4420    • PIC18F4610
- PIC18F2520    • PIC18F4423    • PIC18F4620
- PIC18F2523    • PIC18F4450    • PIC18F4680
- PIC18F2525    • PIC18F4455    • PIC18F4682
- PIC18F2550    • PIC18F4458    • PIC18F4685
- PIC18F2553

**2.0 PROGRAMMING OVERVIEW**

PIC18F2XXX/4XXX family devices can be programmed using either the high-voltage In-Circuit Serial Programming™ (ICSP™) method or the low-voltage ICSP method. Both methods can be done with the device in the user's system. The low-voltage

ICSP method is slightly different than the high-voltage method and these differences are noted where applicable.

This programming specification applies to the PIC18F2XXX/4XXX family devices in all package types.

**2.1 Hardware Requirements**

In High-Voltage ICSP mode, PIC18F2XXX/4XXX family devices require two programmable power supplies: one for VDD and one for MCLR/VPP/RE3. Both supplies should have a minimum resolution of 0.25V. Refer to **Section 6.0 “AC/DC Characteristics Timing Requirements for Program/Verify Test Mode”** for additional hardware parameters.

**2.1.1 LOW-VOLTAGE ICSP PROGRAMMING**

In Low-Voltage ICSP mode, PIC18F2XXX/4XXX family devices can be programmed using a VDD source in the operating range. The MCLR/VPP/RE3 does not have to be brought to a different voltage, but can instead be left at the normal operating voltage. Refer to **Section 6.0 “AC/DC Characteristics Timing Requirements for Program/Verify Test Mode”** for additional hardware parameters.

**2.2 Pin Diagrams**

The pin diagrams for the PIC18F2XXX/4XXX family are shown in Figure 2-1 and Figure 2-2.

**TABLE 2-1: PIN DESCRIPTIONS (DURING PROGRAMMING): PIC18F2XXX/4XXX FAMILY**

Pin Name	During Programming		
	Pin Name	Pin Type	Pin Description
MCLR/VPP/RE3	VPP	P	Programming Enable
VDD <sup>(2)</sup>	VDD	P	Power Supply
VSS <sup>(2)</sup>	VSS	P	Ground
RB5	PGM	I	Low-Voltage ICSP™ Input when LVP Configuration bit equals '1' <sup>(1)</sup>
RB6	PGC	I	Serial Clock
RB7	PGD	I/O	Serial Data

**Legend:** I = Input, O = Output, P = Power

**Note 1:** See Figure 5-1 for more information.

**2:** All power supply (VDD) and ground (VSS) pins must be connected.

# PIC18F2XXX/4XXX FAMILY

**FIGURE 2-1: PIC18F2XXX/4XXX FAMILY PIN DIAGRAMS**

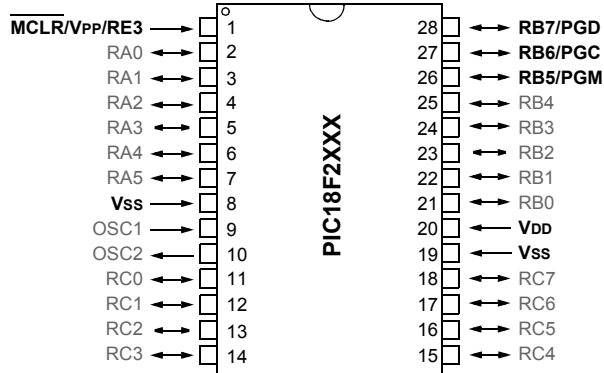
## 28-Pin SDIP, PDIP, SOIC and SSOP

The following devices are included in 28-pin SDIP, PDIP and SOIC parts:

- PIC18F2221    • PIC18F2523
- PIC18F2321    • PIC18F2525
- PIC18F2410    • PIC18F2550
- PIC18F2420    • PIC18F2553
- PIC18F2423    • PIC18F2580
- PIC18F2450    • PIC18F2585
- PIC18F2455    • PIC18F2610
- PIC18F2458    • PIC18F2620
- PIC18F2480    • PIC18F2680
- PIC18F2510    • PIC18F2682
- PIC18F2515    • PIC18F2685
- PIC18F2520

The following devices are included in 28-pin SSOP parts:

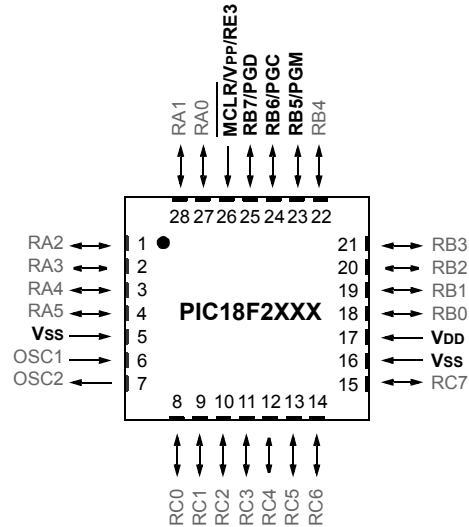
- PIC18F2221    • PIC18F2321



## 28-Pin QFN

The following devices are included in 28-pin QFN parts:

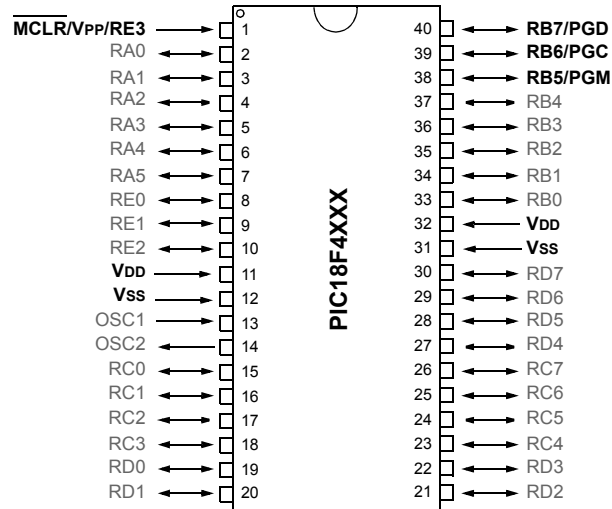
- PIC18F2221    • PIC18F2510
- PIC18F2321    • PIC18F2520
- PIC18F2410    • PIC18F2523
- PIC18F2420    • PIC18F2580
- PIC18F2423    • PIC18F2682
- PIC18F2450    • PIC18F2685
- PIC18F2480



## 40-Pin PDIP

The following devices are included in 40-pin PDIP parts:

- PIC18F4221    • PIC18F4523
- PIC18F4321    • PIC18F4525
- PIC18F4410    • PIC18F4550
- PIC18F4420    • PIC18F4553
- PIC18F4423    • PIC18F4580
- PIC18F4450    • PIC18F4585
- PIC18F4455    • PIC18F4610
- PIC18F4458    • PIC18F4620
- PIC18F4480    • PIC18F4680
- PIC18F4510    • PIC18F4682
- PIC18F4515    • PIC18F4685
- PIC18F4520

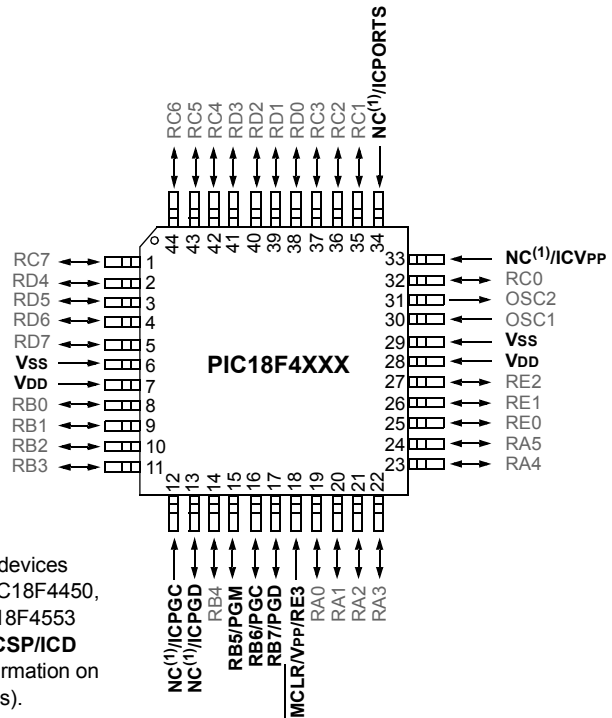


**FIGURE 2-2: PIC18F2XXX/4XXX FAMILY PIN DIAGRAMS**

### 44-Pin TQFP

The following devices are included in 40-pin TQFP parts:

- PIC18F4221      • PIC18F4523
- PIC18F4321      • PIC18F4525
- PIC18F4410      • PIC18F4550
- PIC18F4420      • PIC18F4553
- PIC18F4423      • PIC18F4580
- PIC18F4450      • PIC18F4585
- PIC18F4455      • PIC18F4610
- PIC18F4458      • PIC18F4620
- PIC18F4480      • PIC18F4680
- PIC18F4510      • PIC18F4682
- PIC18F4520      • PIC18F4685
- PIC18F4515

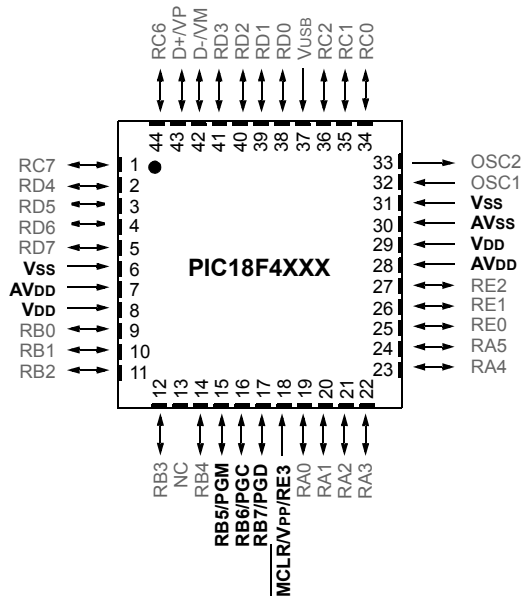


**Note 1:** These pins are NC (No Connect) for all devices listed above with the exception of the PIC18F4450, PIC18F4455, PIC18F4458 and the PIC18F4553 devices (see Section 2.8 “Dedicated ICSP/ICD Port (44-Pin TQFP Only)” for more information on programming these pins in these devices).

### 44-Pin QFN

The following devices are included in 44-pin QFN parts:

- PIC18F4221      • PIC18F4523
- PIC18F4321      • PIC18F4525
- PIC18F4410      • PIC18F4550
- PIC18F4420      • PIC18F4553
- PIC18F4423      • PIC18F4580
- PIC18F4450      • PIC18F4585
- PIC18F4455      • PIC18F4610
- PIC18F4458      • PIC18F4620
- PIC18F4480      • PIC18F4680
- PIC18F4510      • PIC18F4682
- PIC18F4520      • PIC18F4685
- PIC18F4515



# PIC18F2XXX/4XXX FAMILY

## 2.3 Memory Maps

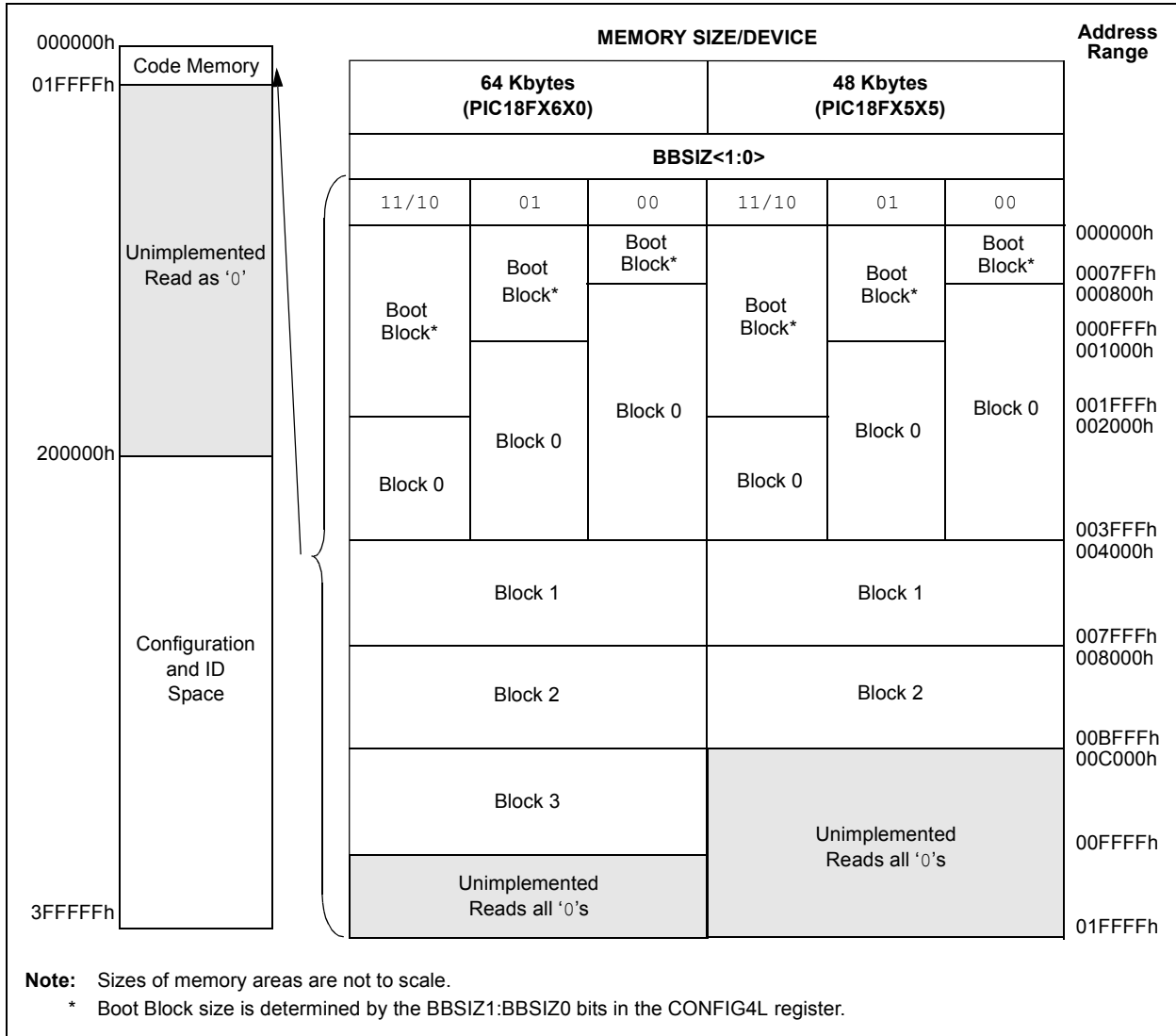
For PIC18FX6X0 devices, the code memory space extends from 0000h to 0FFFFh (64 Kbytes) in four 16-Kbyte blocks. For PIC18FX5X5 devices, the code memory space extends from 0000h to 0BFFFh (48 Kbytes) in three 16-Kbyte blocks. Addresses 0000h through 07FFFh, however, define a “Boot Block” region that is treated separately from Block 0. All of these blocks define code protection boundaries within the code memory space.

The size of the Boot Block in PIC18F2585/2680/4585/4680 devices can be configured as 1, 2 or 4K words (see Figure 2-3). This is done through the BBSIZ<1:0> bits in the Configuration register, CONFIG4L. It is important to note that increasing the size of the Boot Block decreases the size of Block 0.

**TABLE 2-2: IMPLEMENTATION OF CODE MEMORY**

Device	Code Memory Size (Bytes)
PIC18F2515	000000h-00BFFFh (48K)
PIC18F2525	
PIC18F2585	
PIC18F4515	
PIC18F4525	
PIC18F4585	000000h-00FFFFh (64K)
PIC18F2610	
PIC18F2620	
PIC18F2680	
PIC18F4610	
PIC18F4620	
PIC18F4680	

**FIGURE 2-3: MEMORY MAP AND THE CODE MEMORY SPACE FOR PIC18FX5X5/X6X0 DEVICES**



For PIC18F2685/4685 devices, the code memory space extends from 0000h to 017FFFh (96 Kbytes) in five 16-Kbyte blocks. For PIC18F2682/4682 devices, the code memory space extends from 0000h to 0013FFFh (80 Kbytes) in four 16-Kbyte blocks. Addresses 0000h through 0FFFh, however, define a “Boot Block” region that is treated separately from Block 0. All of these blocks define code protection boundaries within the code memory space.

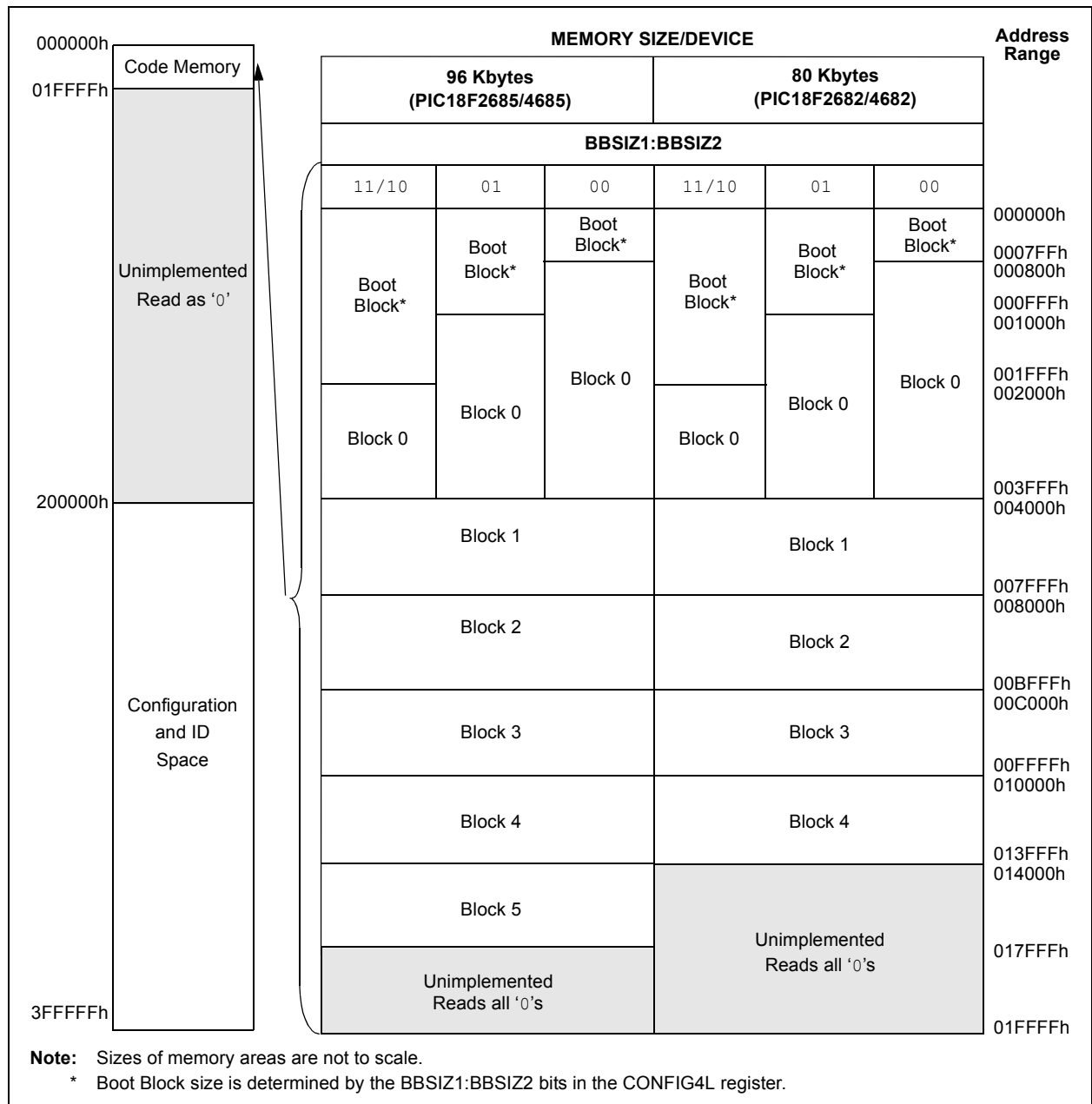
The size of the Boot Block in PIC18F2685/4685 and PIC18F2682/4682 devices can be configured as 1, 2 or 4K words (see Figure 2-4). This is done through the

BBSIZ1:BBSIZ2 bits in the Configuration register, CONFIG4L. It is important to note that increasing the size of the Boot Block decreases the size of Block 0.

**TABLE 2-3: IMPLEMENTATION OF CODE MEMORY**

Device	Code Memory Size (Bytes)
PIC18F2682	000000h-013FFFh (80K)
PIC18F4682	
PIC18F2685	000000h-017FFFh (96K)
PIC18F4685	

**FIGURE 2-4: MEMORY MAP AND THE CODE MEMORY SPACE FOR PIC18F2685/4685 AND PIC18F2682/4682 DEVICES**



# PIC18F2XXX/4XXX FAMILY

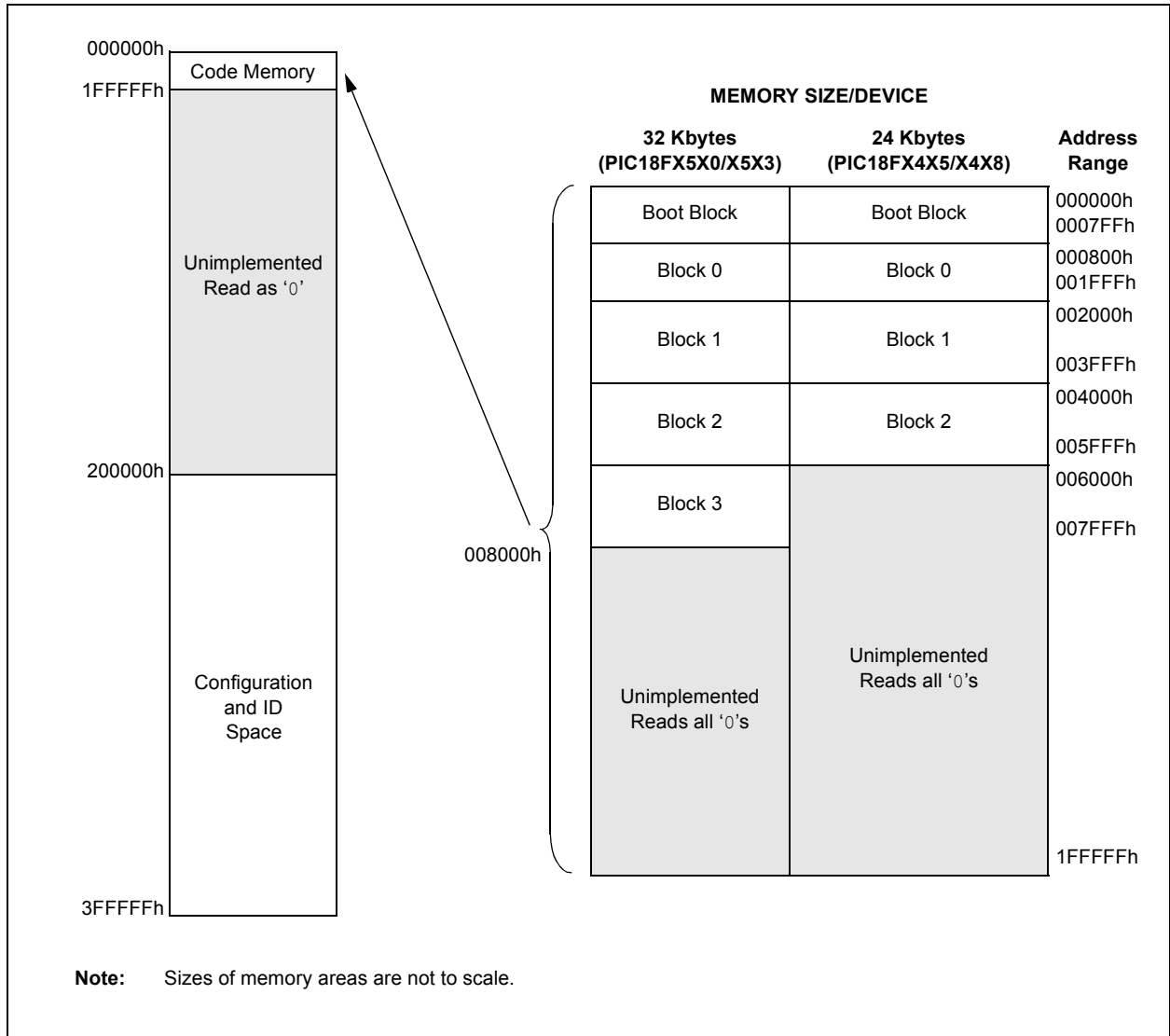
---

For PIC18FX5X0/X5X3 devices, the code memory space extends from 000000h to 007FFFh (32 Kbytes) in four 8-Kbyte blocks. For PIC18FX4X5/X4X8 devices, the code memory space extends from 000000h to 005FFFh (24 Kbytes) in three 8-Kbyte blocks. Addresses 000000h through 0007FFh, however, define a “Boot Block” region that is treated separately from Block 0. All of these blocks define code protection boundaries within the code memory space.

**TABLE 2-4: IMPLEMENTATION OF CODE MEMORY**

Device	Code Memory Size (Bytes)
PIC18F2455	000000h-005FFFh (24K)
PIC18F2458	
PIC18F4455	
PIC18F4458	
PIC18F2510	000000h-007FFFh (32K)
PIC18F2520	
PIC18F2523	
PIC18F2550	
PIC18F2553	
PIC18F4510	
PIC18F4520	
PIC18F4523	
PIC18F4550	
PIC18F4553	

**FIGURE 2-5: MEMORY MAP AND THE CODE MEMORY SPACE FOR PIC18FX4X5/X4X8/X5X0/X5X3 DEVICES**



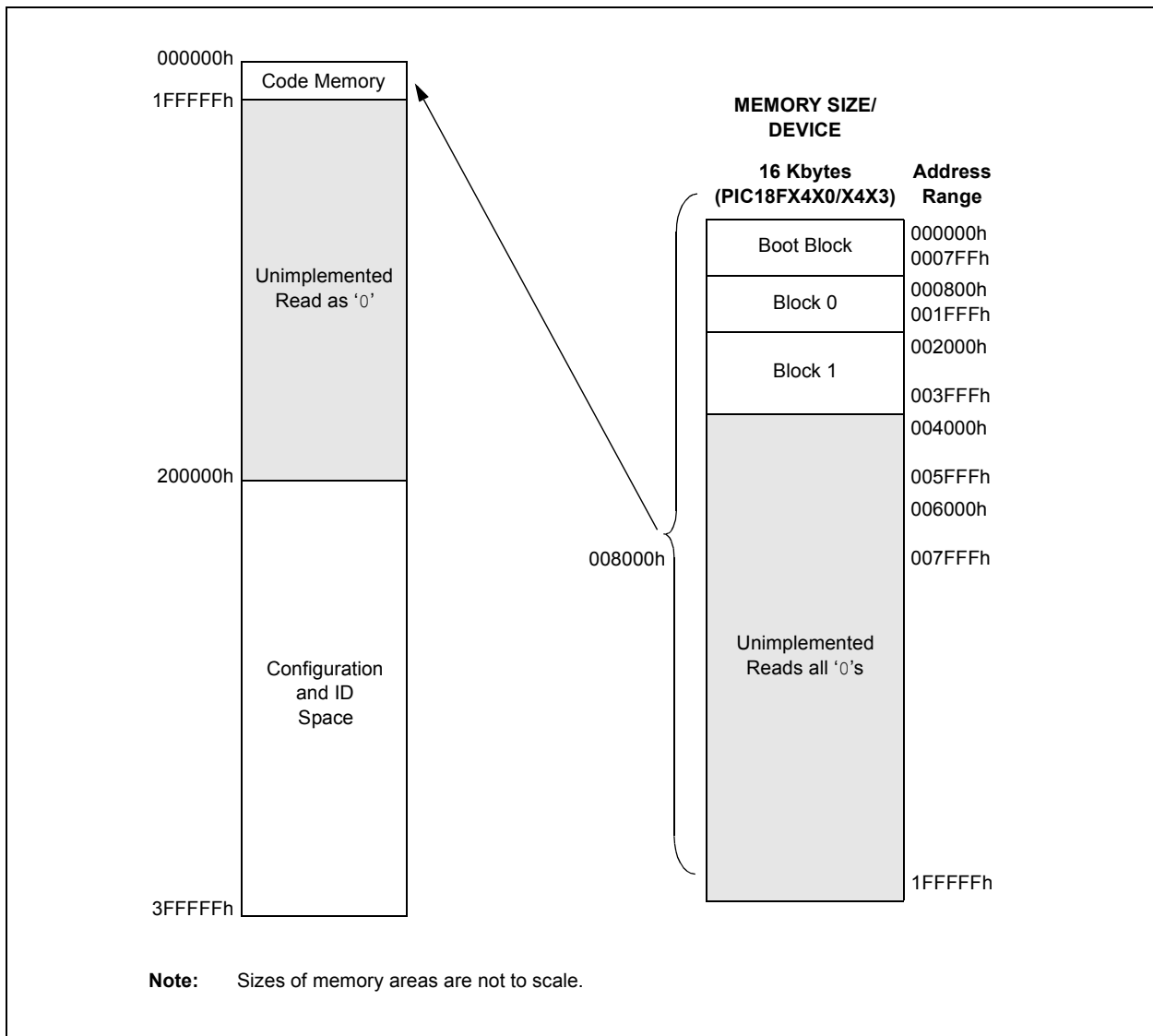
# PIC18F2XXX/4XXX FAMILY

For PIC18FX4X0/X4X3 devices, the code memory space extends from 000000h to 003FFFh (16 Kbytes) in two 8-Kbyte blocks. Addresses 000000h through 0003FFFh, however, define a “Boot Block” region that is treated separately from Block 0. All of these blocks define code protection boundaries within the code memory space.

**TABLE 2-5: IMPLEMENTATION OF CODE MEMORY**

Device	Code Memory Size (Bytes)
PIC18F2410	000000h-003FFFh (16K)
PIC18F2420	
PIC18F2423	
PIC18F2450	
PIC18F4410	
PIC18F4420	
PIC18F4450	

**FIGURE 2-6: MEMORY MAP AND THE CODE MEMORY SPACE FOR PIC18FX4X0/X4X3 DEVICES**





For PIC18F2480/4480 devices, the code memory space extends from 0000h to 03FFFh (16 Kbytes) in one 16-Kbyte block. For PIC18F2580/4580 devices, the code memory space extends from 0000h to 07FFFh (32 Kbytes) in two 16-Kbyte blocks. Addresses 0000h through 07FFh, however, define a “Boot Block” region that is treated separately from Block 0. All of these blocks define code protection boundaries within the code memory space.

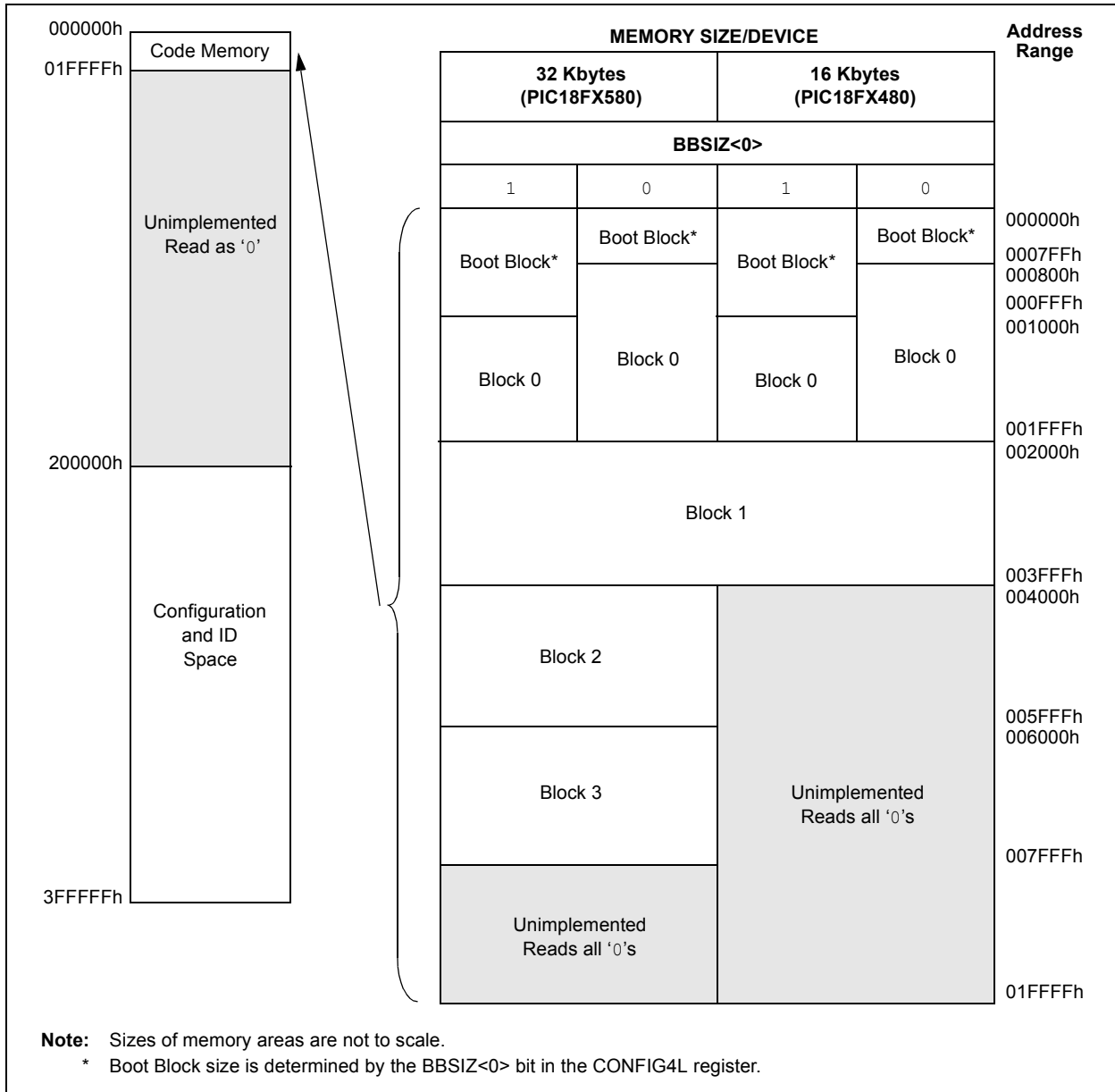
The size of the Boot Block in PIC18F2480/2580/4480/4580 devices can be configured as 1 or 2K words (see Figure 2-7). This is done through the BBSIZ<0> bit in the Configuration register, CONFIG4L. It is important to note that increasing the size of the Boot Block decreases the size of Block 0.

**TABLE 2-6: IMPLEMENTATION OF CODE MEMORY**

Device	Code Memory Size (Bytes)
PIC18F2480	000000h-003FFFh (16K)
PIC18F4480	
PIC18F2580	000000h-007FFFh (32K)
PIC18F4580	

# PIC18F2XXX/4XXX FAMILY

**FIGURE 2-7: MEMORY MAP AND THE CODE MEMORY SPACE FOR PIC18F2480/2580/4480/4580 DEVICES**



# PIC18F2XXX/4XXX FAMILY

For PIC18F2221/4221 devices, the code memory space extends from 0000h to 00FFFh (4 Kbytes) in one 4-Kbyte block. For PIC18F2321/4321 devices, the code memory space extends from 0000h to 01FFFh (8 Kbytes) in two 4-Kbyte blocks. Addresses 0000h through 07FFh, however, define a variable “Boot Block” region that is treated separately from Block 0. All of these blocks define code protection boundaries within the code memory space.

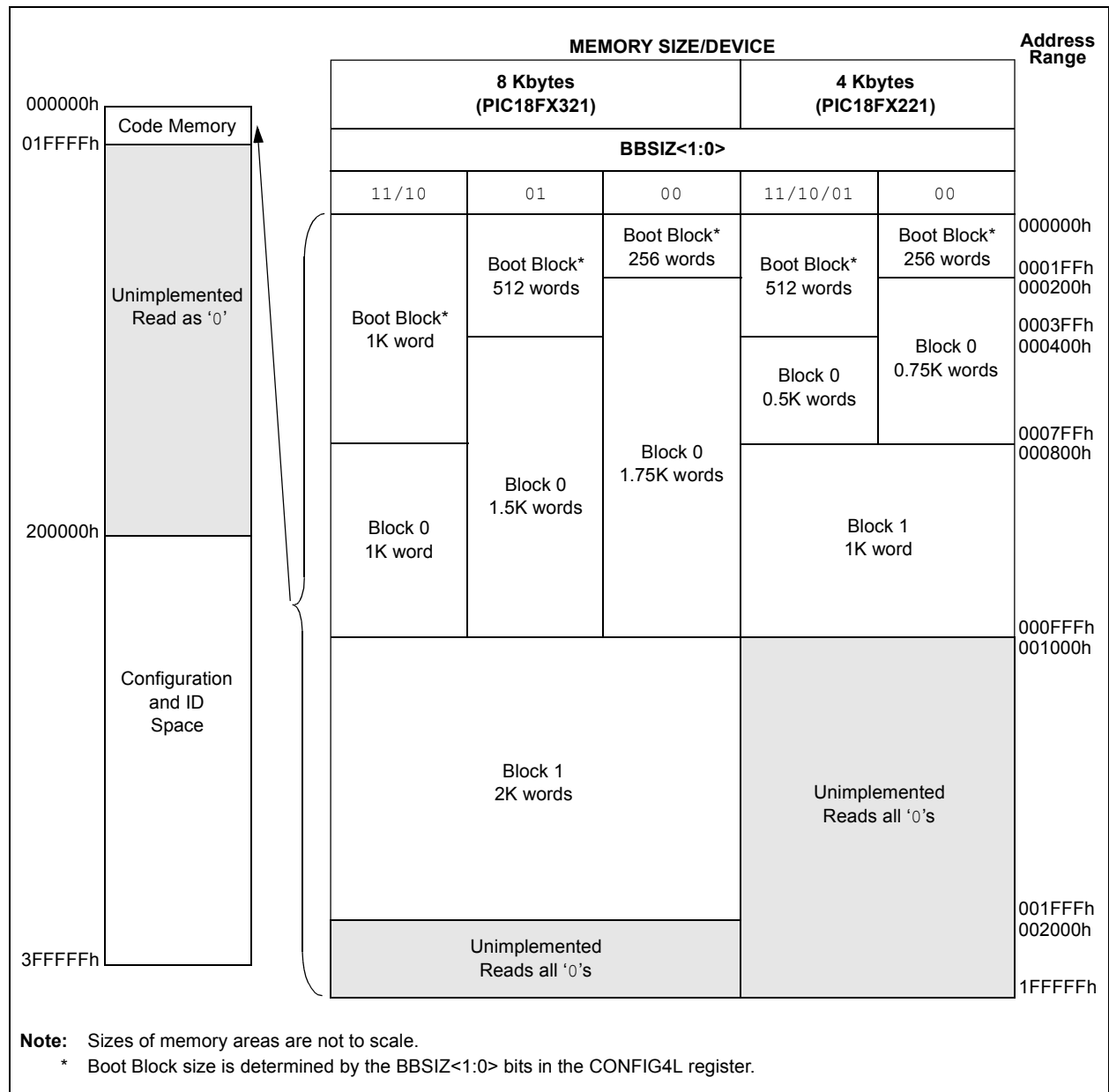
The size of the Boot Block in PIC18F2221/2321/4221/4321 devices can be configured as 256, 512 or 1024 words (see Figure 2-8). This is done through the BBSIZ<1:0> bits in the Configuration register,

CONFIG4L (see Figure 2-8). It is important to note that increasing the size of the Boot Block decreases the size of Block 0.

**TABLE 2-7: IMPLEMENTATION OF CODE MEMORY**

Device	Code Memory Size (Bytes)
PIC18F2221	000000h-00FFFh (4K)
PIC18F4221	
PIC18F2321	000000h-001FFFh (8K)
PIC18F4321	

**FIGURE 2-8: MEMORY MAP AND THE CODE MEMORY SPACE FOR PIC18F2221/2321/4221/4321 DEVICES**



# PIC18F2XXX/4XXX FAMILY

In addition to the code memory space, there are three blocks that are accessible to the user through table reads and table writes. Their locations in the memory map are shown in Figure 2-9.

Users may store identification information (ID) in eight ID registers. These ID registers are mapped in addresses 200000h through 200007h. The ID locations read out normally, even after code protection is applied.

Locations 300000h through 30000Dh are reserved for the Configuration bits. These bits select various device options and are described in **Section 5.0 “Configuration Word”**. These Configuration bits read out normally, even after code protection.

Locations 3FFFEh and 3FFFFh are reserved for the device ID bits. These bits may be used by the programmer to identify what device type is being programmed and are described in **Section 5.0 “Configuration Word”**. These device ID bits read out normally, even after code protection.

## 2.3.1 MEMORY ADDRESS POINTER

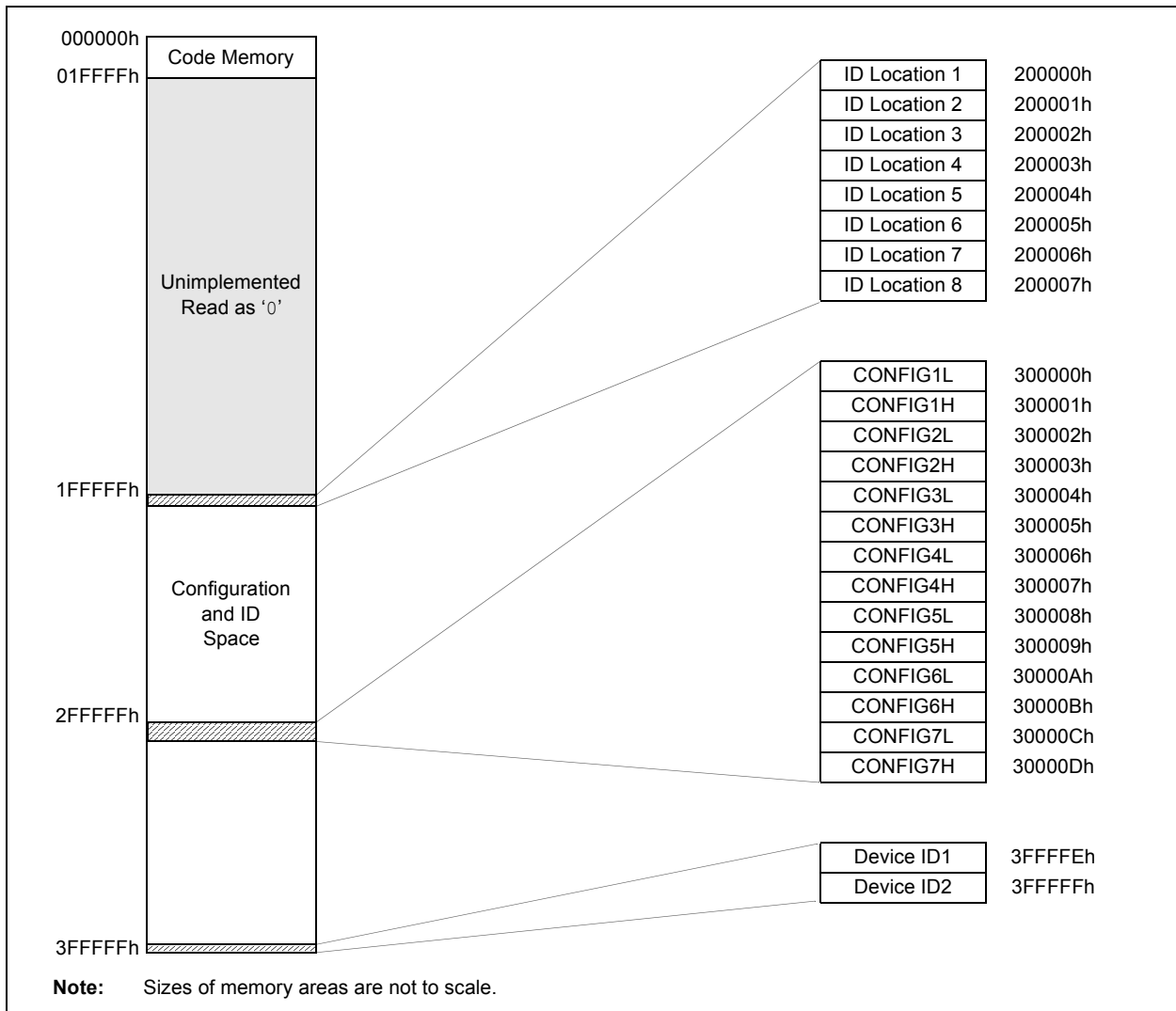
Memory in the address space, 0000000h to 3FFFFFFh, is addressed via the Table Pointer register, which is comprised of three pointer registers:

- TBLPTRU at RAM address 0FF8h
- TBLPTRH at RAM address 0FF7h
- TBLPTRL at RAM address 0FF6h

TBLPTRU	TBLPTRH	TBLPTRL
Addr[21:16]	Addr[15:8]	Addr[7:0]

The 4-bit command, '0000' (core instruction), is used to load the Table Pointer prior to using many read or write operations.

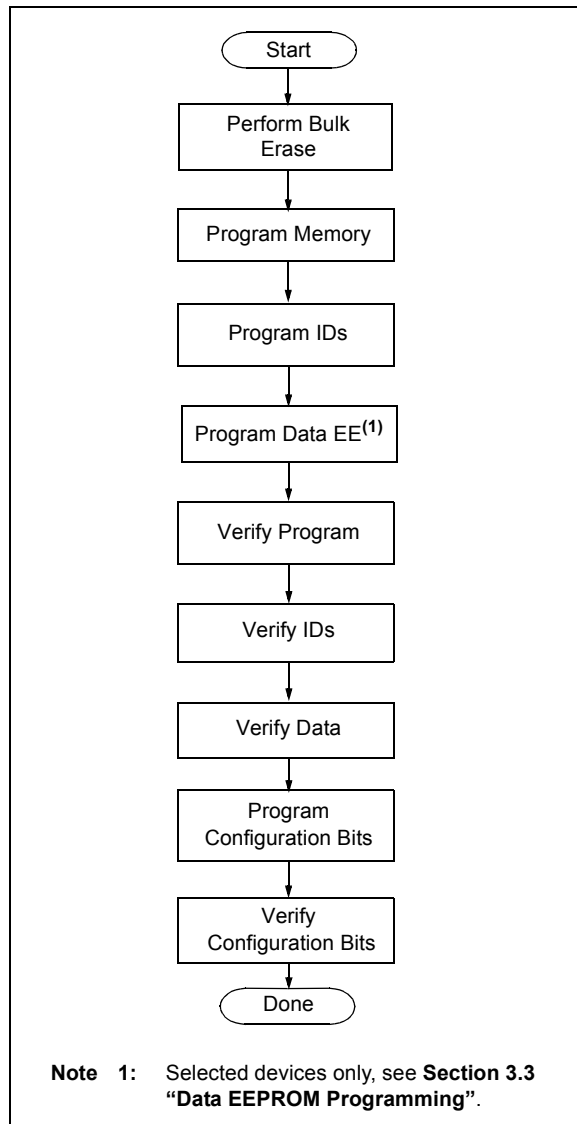
**FIGURE 2-9: CONFIGURATION AND ID LOCATIONS FOR PIC18F2XXX/4XXX FAMILY DEVICES**



## 2.4 High-Level Overview of the Programming Process

Figure 2-10 shows the high-level overview of the programming process. First, a Bulk Erase is performed. Next, the code memory, ID locations and data EEPROM are programmed (selected devices only, see **Section 3.3 “Data EEPROM Programming”**). These memories are then verified to ensure that programming was successful. If no errors are detected, the Configuration bits are then programmed and verified.

**FIGURE 2-10: HIGH-LEVEL PROGRAMMING FLOW**

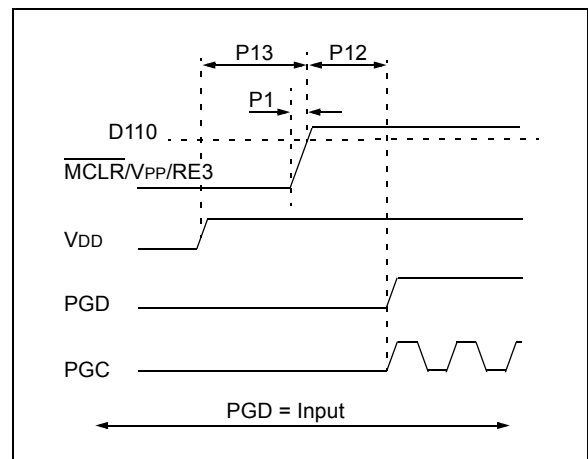


## 2.5 Entering and Exiting High-Voltage ICSP Program/Verify Mode

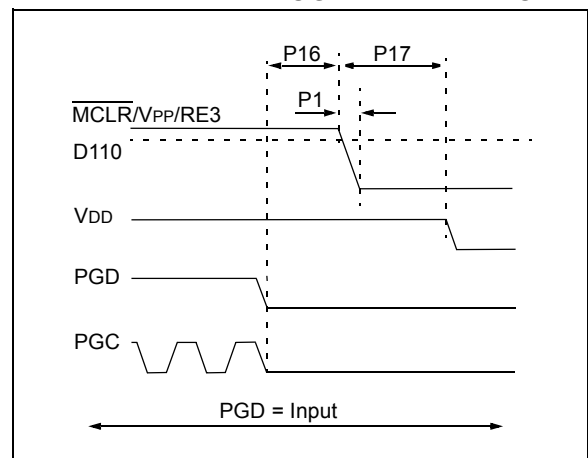
As shown in Figure 2-11, the High-Voltage ICSP Program/Verify mode is entered by holding PGC and PGD low and then raising  $\overline{\text{MCLR}}/\text{VPP}/\text{RE3}$  to  $V_{\text{IH}}$  (high voltage). Once in this mode, the code memory, data EEPROM (selected devices only, see **Section 3.3 “Data EEPROM Programming”**), ID locations and Configuration bits can be accessed and programmed in serial fashion. Figure 2-12 shows the exit sequence.

The sequence that enters the device into the Program/Verify mode places all unused I/Os in the high-impedance state.

**FIGURE 2-11: ENTERING HIGH-VOLTAGE PROGRAM/VERIFY MODE**



**FIGURE 2-12: EXITING HIGH-VOLTAGE PROGRAM/VERIFY MODE**

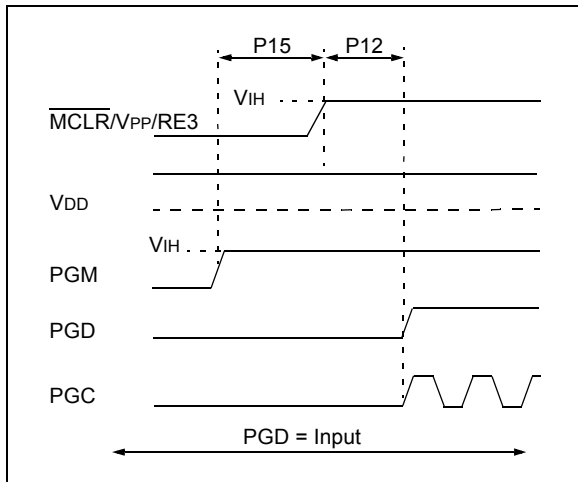


## 2.6 Entering and Exiting Low-Voltage ICSP Program/Verify Mode

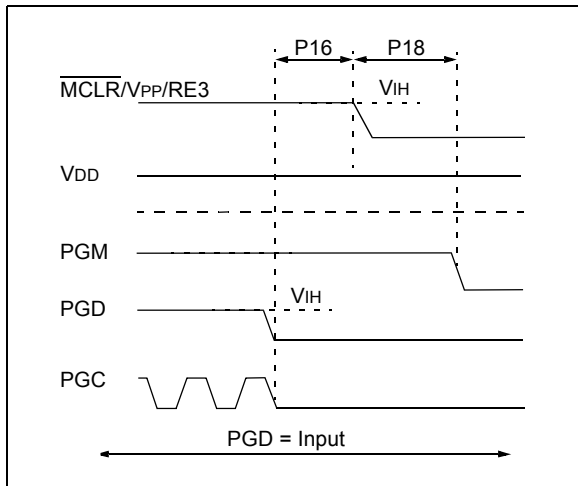
When the LVP Configuration bit is '1' (see Section 5.3 "Single-Supply ICSP Programming"), the Low-Voltage ICSP mode is enabled. As shown in Figure 2-13, Low-Voltage ICSP Program/Verify mode is entered by holding PGC and PGD low, placing a logic high on PGM and then raising MCLR/VPP/RE3 to  $V_{IH}$ . In this mode, the RB5/PGM pin is dedicated to the programming function and ceases to be a general purpose I/O pin. Figure 2-14 shows the exit sequence.

The sequence that enters the device into the Program/Verify mode places all unused I/Os in the high-impedance state.

**FIGURE 2-13: ENTERING LOW-VOLTAGE PROGRAM/VERIFY MODE**



**FIGURE 2-14: EXITING LOW-VOLTAGE PROGRAM/VERIFY MODE**



## 2.7 Serial Program/Verify Operation

The PGC pin is used as a clock input pin and the PGD pin is used for entering command bits and data input/output during serial operation. Commands and data are transmitted on the rising edge of PGC, latched on the falling edge of PGC and are Least Significant bit (LSb) first.

### 2.7.1 4-BIT COMMANDS

All instructions are 20 bits, consisting of a leading 4-bit command followed by a 16-bit operand, which depends on the type of command being executed. To input a command, PGC is cycled four times. The commands needed for programming and verification are shown in Table 2-8.

Depending on the 4-bit command, the 16-bit operand represents 16 bits of input data or 8 bits of input data and 8 bits of output data.

Throughout this specification, commands and data are presented as illustrated in Table 2-9. The 4-bit command is shown Most Significant bit (MSb) first. The command operand, or "Data Payload", is shown <MSB><LSB>. Figure 2-15 demonstrates how to serially present a 20-bit command/operand to the device.

### 2.7.2 CORE INSTRUCTION

The core instruction passes a 16-bit instruction to the CPU core for execution. This is needed to set up registers as appropriate for use with other commands.

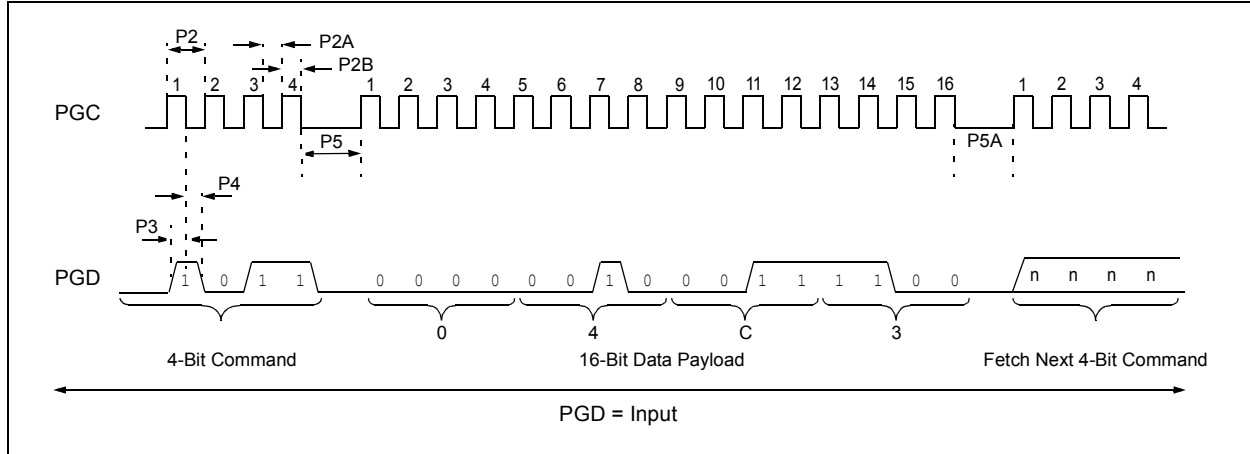
**TABLE 2-8: COMMANDS FOR PROGRAMMING**

Description	4-Bit Command
Core Instruction (Shift in 16-bit instruction)	0000
Shift Out TABLAT Register	0010
Table Read	1000
Table Read, Post-Increment	1001
Table Read, Post-Decrement	1010
Table Read, Pre-Increment	1011
Table Write	1100
Table Write, Post-Increment by 2	1101
Table Write, Start Programming, Post-Increment by 2	1110
Table Write, Start Programming	1111

**TABLE 2-9: SAMPLE COMMAND SEQUENCE**

4-Bit Command	Data Payload	Core Instruction
1101	3C 40	Table Write, post-increment by 2

**FIGURE 2-15: TABLE WRITE, POST-INCREMENT TIMING (1101)**



## 2.8 Dedicated ICSP/ICD Port (44-Pin TQFP Only)

The PIC18F4455/4458/4550/4553 44-pin TQFP devices are designed to support an alternate programming input: the dedicated ICSP/ICD port. The primary purpose of this port is to provide an alternate In-Circuit Debugging (ICD) option and free the pins (RB6, RB7 and MCLR) that would normally be used for debugging the application. In conjunction with ICD capability, however, the dedicated ICSP/ICD port also provides an alternate port for ICSP.

Setting the ICPRT Configuration bit enables the dedicated ICSP/ICD port. The dedicated ICSP/ICD port functions the same as the default ICSP/ICD port; however, alternate pins are used instead of the default pins. Table 2-10 identifies the functionally equivalent pins for ICSP purposes:

The dedicated ICSP/ICD port is an alternate port. Thus, ICSP is still available through the default port even though the ICPRT Configuration bit is set. When the

$V_{IH}$  is seen on the MCLR/VPP/RE3 pin prior to applying  $V_{IH}$  to the ICRST/ICVPP pin; then, the state of the ICRST/ICVPP pin is ignored. Likewise, when the  $V_{IH}$  is seen on ICRST/ICVPP prior to applying  $V_{IH}$  to MCLR/VPP/RE3, then the state of the MCLR/VPP/RE3 pin is ignored.

**Note:** The ICPRT Configuration bit can only be programmed through the default ICSP port. Chip Erase functions through the dedicated ICSP/ICD port do not affect this bit.

When the ICPRT Configuration bit is set (dedicated ICSP/ICD port enabled), the NC/ICPORTS pin must be tied to either VDD or VSS.

The ICPRT Configuration bit must be maintained clear for all 28-pin and 40-pin devices; otherwise, unexpected operation may occur.

**TABLE 2-10: ICSP™ EQUIVALENT PINS**

Pin Name	During Programming			
	Pin Name	Pin Type	Dedicated Pins	Pin Description
MCLR/VPP/RE3	VPP	P	NC/ICRST/ICVPP	Programming Enable
RB6	PGC	I	NC/ICCK/ICPGC	Serial Clock
RB7	PGD	I/O	NC/ICDT/ICPGD	Serial Data

**Legend:** I = Input, O = Output, P = Power

## 3.0 DEVICE PROGRAMMING

Programming includes the ability to erase or write the various memory regions within the device.

In all cases, except high-voltage ICSP Bulk Erase, the EECON1 register must be configured in order to operate on a particular memory region.

When using the EECON1 register to act on code memory, the EEPGD bit must be set (EECON1<7> = 1) and the CFGS bit must be cleared (EECON1<6> = 0). The WREN bit must be set (EECON1<2> = 1) to enable writes of any sort (e.g., erases) and this must be done prior to initiating a write sequence. The FREE bit must be set (EECON1<4> = 1) in order to erase the program space being pointed to by the Table Pointer. The erase or write sequence is initiated by setting the WR bit (EECON1<1> = 1). It is strongly recommended that the WREN bit only be set immediately prior to a program erase.

### 3.1 ICSP Erase

#### 3.1.1 HIGH-VOLTAGE ICSP BULK ERASE

Erasing code or data EEPROM is accomplished by configuring two Bulk Erase Control registers located at 3C0004h and 3C0005h. Code memory may be erased portions at a time, or the user may erase the entire device in one action. Bulk Erase operations will also clear any code-protect settings associated with the memory block erased. Erase options are detailed in Table 3-1. If data EEPROM is code-protected (CPD = 0), the user must request an erase of data EEPROM (e.g., 0084h as shown in Table 3-1).

**TABLE 3-1: BULK ERASE OPTIONS**

Description	Data (3C0005h:3C0004h)
Chip Erase	3F8Fh
Erase Data EEPROM <sup>(1)</sup>	0084h
Erase Boot Block	0081h
Erase Configuration Bits	0082h
Erase Code EEPROM Block 0	0180h
Erase Code EEPROM Block 1	0280h
Erase Code EEPROM Block 2	0480h
Erase Code EEPROM Block 3	0880h
Erase Code EEPROM Block 4	1080h
Erase Code EEPROM Block 5	2080h

**Note 1:** Selected devices only, see **Section 3.3** “Data EEPROM Programming”.

The actual Bulk Erase function is a self-timed operation. Once the erase has started (falling edge of the 4th PGC after the NOP command), serial execution will cease until the erase completes (parameter P11). During this time, PGC may continue to toggle but PGD must be held low.

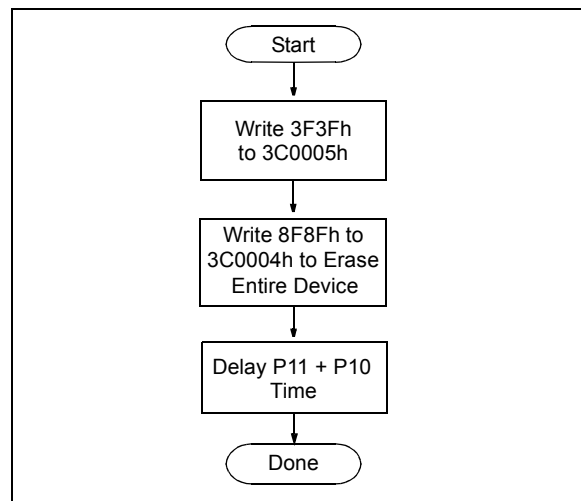
The code sequence to erase the entire device is shown in Table 3-2 and the flowchart is shown in Figure 3-1.

**Note:** A Bulk Erase is the only way to reprogram code-protect bits from an ON state to an OFF state.

**TABLE 3-2: BULK ERASE COMMAND SEQUENCE**

4-Bit Command	Data Payload	Core Instruction
0000	0E 3C	MOVLW 3Ch
0000	6E F8	MOVWF TBLPTRU
0000	0E 00	MOVLW 00h
0000	6E F7	MOVWF TBLPTRH
0000	0E 05	MOVLW 05h
0000	6E F6	MOVWF TBLPTRL
1100	3F 3F	Write 3F3Fh to 3C0005h
0000	0E 3C	MOVLW 3Ch
0000	6E F8	MOVWF TBLPTRU
0000	0E 00	MOVLW 00h
0000	6E F7	MOVWF TBLPTRH
0000	0E 04	MOVLW 04h
0000	6E F6	MOVWF TBLPTRL
1100	8F 8F	Write 8F8Fh TO 3C0004h to erase entire device.
0000	00 00	NOP
0000	00 00	Hold PGD low until erase completes.

**FIGURE 3-1: BULK ERASE FLOW**





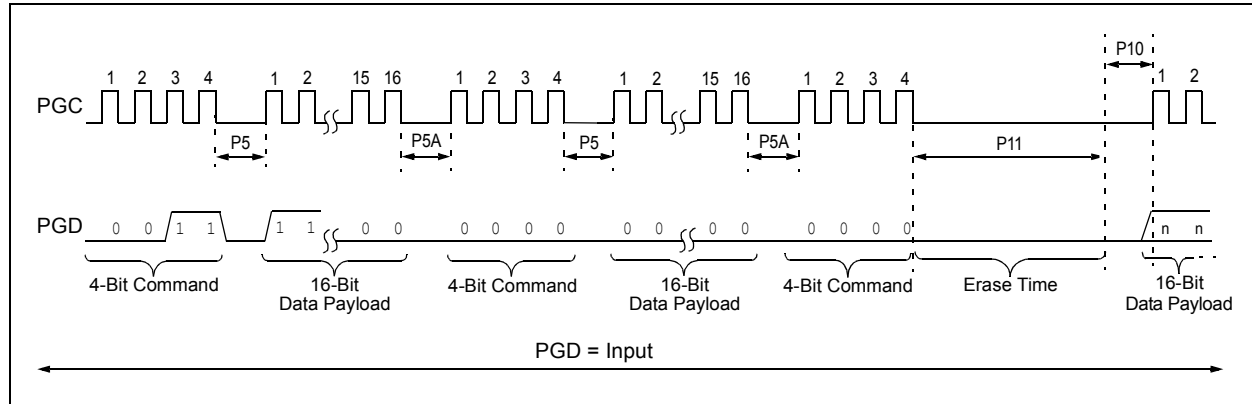
### 3.1.2 LOW-VOLTAGE ICSP BULK ERASE

When using low-voltage ICSP, the part must be supplied by the voltage specified in parameter D111 if a Bulk Erase is to be executed. All other Bulk Erase details as described above apply.

If it is determined that a program memory erase must be performed at a supply voltage below the Bulk Erase limit, refer to the erase methodology described in **Section 3.1.3 “ICSP Row Erase”** and **Section 3.2.1 “Modifying Code Memory”**.

If it is determined that a data EEPROM erase (selected devices only, see **Section 3.3 “Data EEPROM Programming”**) must be performed at a supply voltage below the Bulk Erase limit, follow the methodology described in **Section 3.3 “Data EEPROM Programming”** and write ‘1’s to the array.

**FIGURE 3-2: BULK ERASE TIMING**



### 3.1.3 ICSP ROW ERASE

Regardless of whether high or low-voltage ICSP is used, it is possible to erase one row (64 bytes of data), provided the block is not code or write-protected. Rows are located at static boundaries, beginning at program memory address 000000h, extending to the internal program memory limit (see **Section 2.3 “Memory Maps”**).

The Row Erase duration is externally timed and is controlled by PGC. After the WR bit in EECON1 is set, a NOP is issued, where the 4th PGC is held high for the duration of the programming time, P9.

After PGC is brought low, the programming sequence is terminated. PGC must be held low for the time specified by parameter P10 to allow high-voltage discharge of the memory array.

The code sequence to Row Erase a PIC18F2XXX/4XXX family device is shown in Table 3-3. The flowchart, shown in Figure 3-3, depicts the logic necessary to completely erase a PIC18F2XXX/4XXX family device. The timing diagram that details the Start Programming command and parameters P9 and P10 is shown in Figure 3-5.

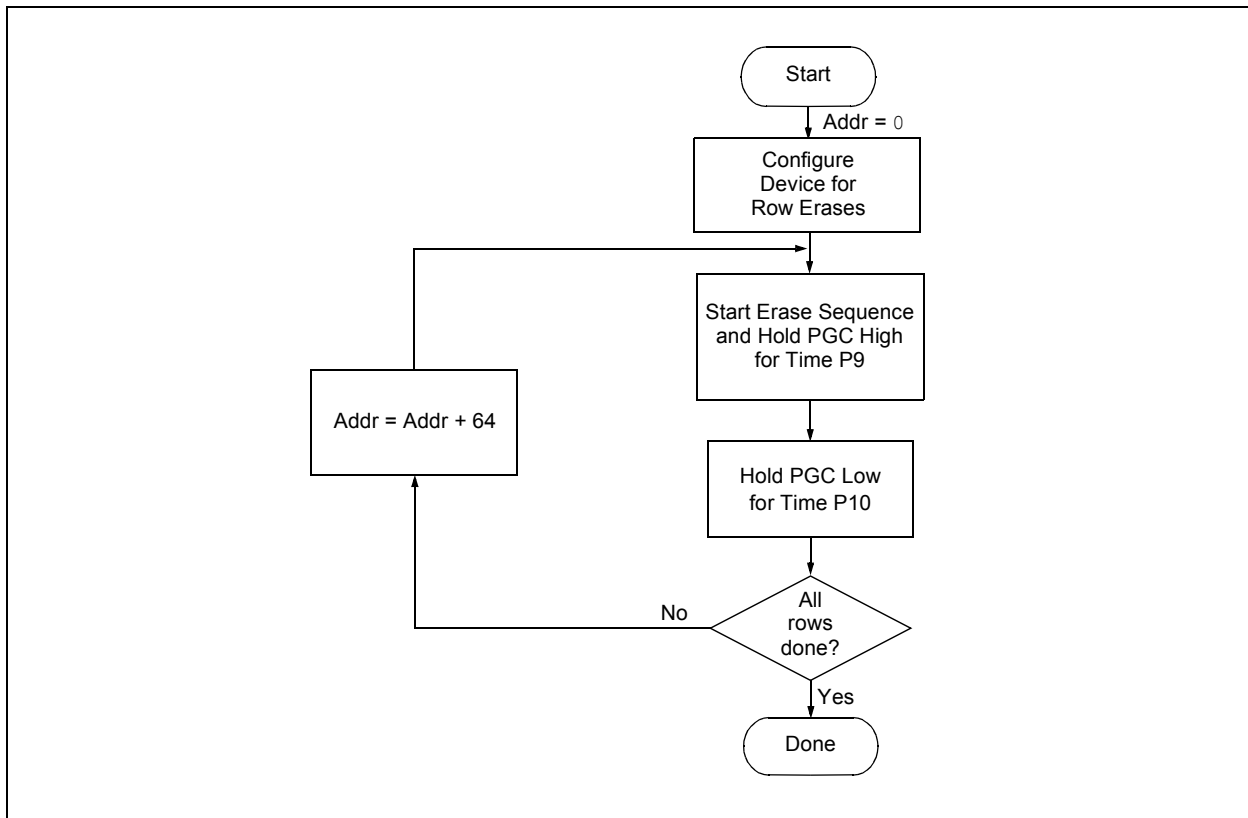
**Note:** The TBLPTR register can point to any byte within the row intended for erase.

# PIC18F2XXX/4XXX FAMILY

**TABLE 3-3: ERASE CODE MEMORY CODE SEQUENCE**

4-Bit Command	Data Payload	Core Instruction
Step 1: Direct access to code memory and enable writes.		
0000	8E A6	BSF EECON1, EEPGD
0000	9C A6	BCF EECON1, CFGS
0000	84 A6	BSF EECON1, WREN
Step 2: Point to first row in code memory.		
0000	6A F8	CLRF TBLPTRU
0000	6A F7	CLRF TBLPTRH
0000	6A F6	CLRF TBLPTRL
Step 3: Enable erase and erase single row.		
0000	88 A6	BSF EECON1, FREE
0000	82 A6	BSF EECON1, WR
0000	00 00	NOP - hold PGC high for time P9 and low for time P10.
Step 4: Repeat step 3, with Address Pointer incremented by 64 until all rows are erased.		

**FIGURE 3-3: SINGLE ROW ERASE CODE MEMORY FLOW**



## 3.2 Code Memory Programming

Programming code memory is accomplished by first loading data into the write buffer and then initiating a programming sequence. The write and erase buffer sizes, shown in Table 3-4, can be mapped to any location of the same size, beginning at 000000h. The actual memory write sequence takes the contents of this buffer and programs the proper amount of code memory that contains the Table Pointer.

The programming duration is externally timed and is controlled by PGC. After a Start Programming command is issued (4-bit command, '1111'), a NOP is issued, where the 4th PGC is held high for the duration of the programming time, P9.

After PGC is brought low, the programming sequence is terminated. PGC must be held low for the time specified by parameter P10 to allow high-voltage discharge of the memory array.

The code sequence to program a PIC18F2XXX/4XXX family device is shown in Table 3-5. The flowchart, shown in Figure 3-4, depicts the logic necessary to completely write a PIC18F2XXX/4XXX family device. The timing diagram that details the Start Programming command and parameters P9 and P10 is shown in Figure 3-5.

**Note:** The TBLPTR register must point to the same region when initiating the programming sequence as it did when the write buffers were loaded.

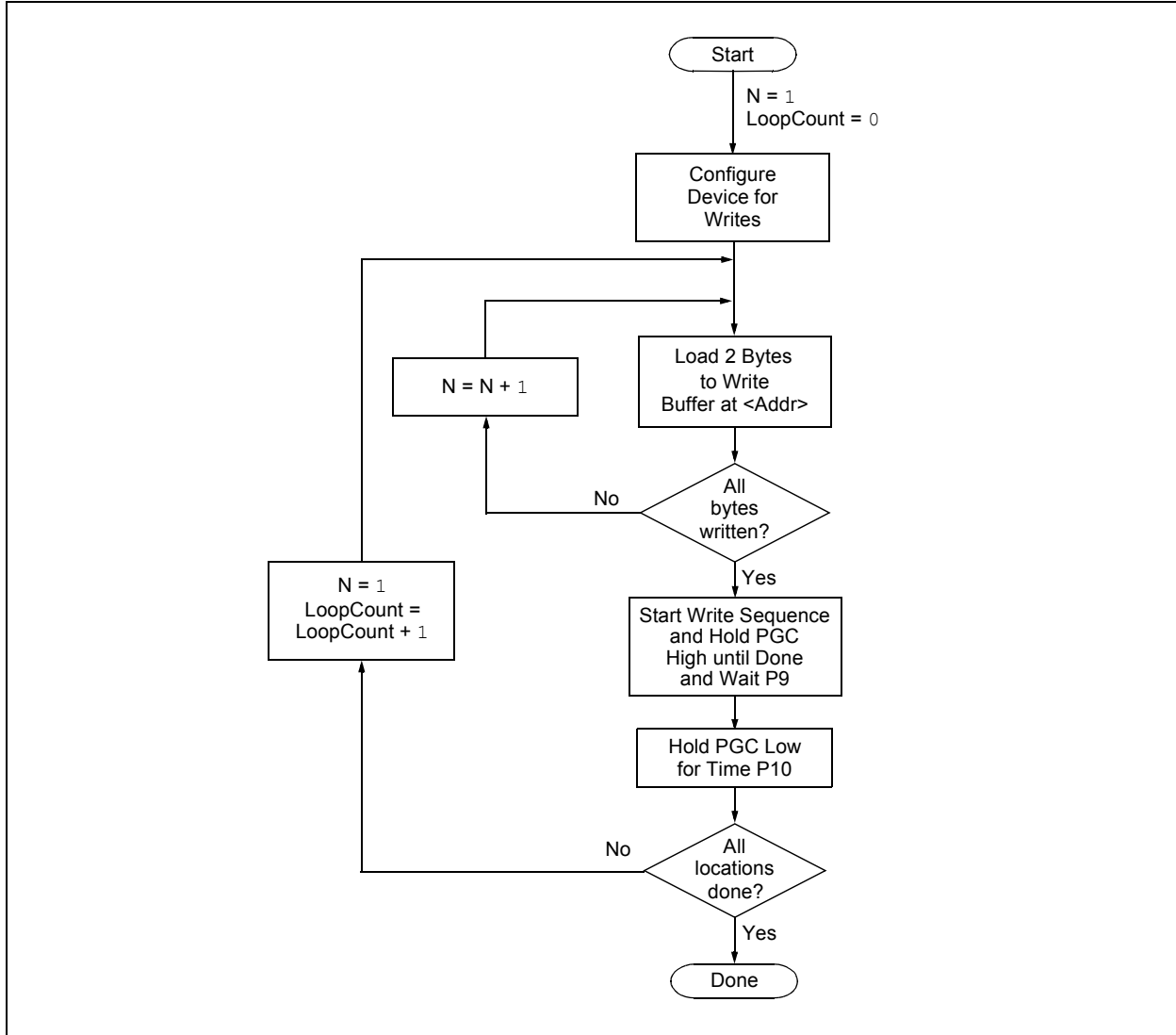
**TABLE 3-4: WRITE AND ERASE BUFFER SIZES**

Devices (Arranged by Family)	Write Buffer Size (Bytes)	Erase Buffer Size (Bytes)
PIC18F2221, PIC18F2321, PIC18F4221, PIC18F4321	8	64
PIC18F2450, PIC18F4450	16	64
PIC18F2410, PIC18F2510, PIC18F4410, PIC18F4510	32	64
PIC18F2420, PIC18F2520, PIC18F4420, PIC18F4520		
PIC18F2423, PIC18F2523, PIC18F4423, PIC18F4523		
PIC18F2480, PIC18F2580, PIC18F4480, PIC18F4580		
PIC18F2455, PIC18F2550, PIC18F4455, PIC18F4550		
PIC18F2458, PIC18F2553, PIC18F4458, PIC18F4553		
PIC18F2515, PIC18F2610, PIC18F4515, PIC18F4610	64	64
PIC18F2525, PIC18F2620, PIC18F4525, PIC18F4620		
PIC18F2585, PIC18F2680, PIC18F4585, PIC18F4680		
PIC18F2682, PIC18F2685, PIC18F4682, PIC18F4685		

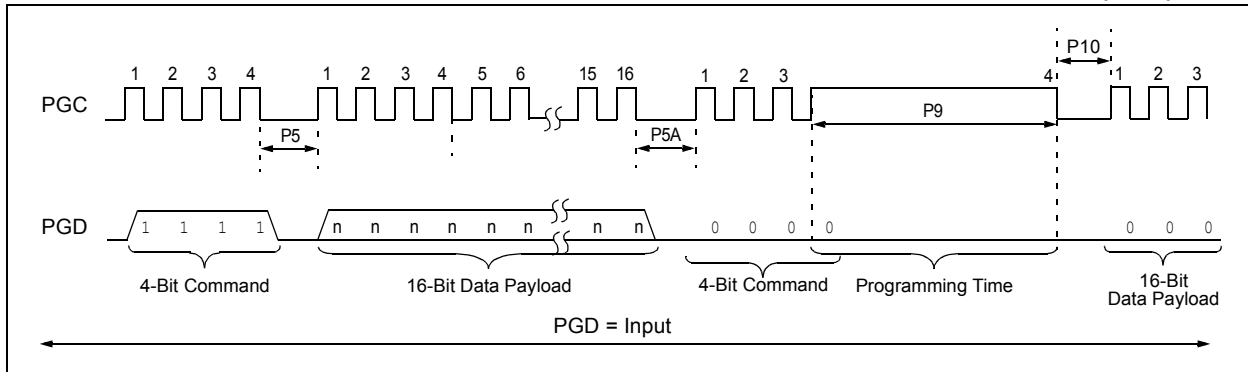
**TABLE 3-5: WRITE CODE MEMORY CODE SEQUENCE**

4-Bit Command	Data Payload	Core Instruction
Step 1: Direct access to code memory and enable writes.		
0000	8E A6	BSF EECON1, EEPGD
0000	9C A6	BCF EECON1, CFGS
Step 2: Load write buffer.		
0000	0E <Addr[21:16]>	MOVLW <Addr[21:16]>
0000	6E F8	MOVWF TBLPTRU
0000	0E <Addr[15:8]>	MOVLW <Addr[15:8]>
0000	6E F7	MOVWF TBLPTRH
0000	0E <Addr[7:0]>	MOVLW <Addr[7:0]>
0000	6E F6	MOVWF TBLPTRL
Step 3: Repeat for all but the last two bytes.		
1101	<MSB><LSB>	Write 2 bytes and post-increment address by 2.
Step 4: Load write buffer for last two bytes.		
1111	<MSB><LSB>	Write 2 bytes and start programming.
0000	00 00	NOP - hold PGC high for time P9 and low for time P10.
To continue writing data, repeat steps 2 through 4, where the Address Pointer is incremented by 2 at each iteration of the loop.		

**FIGURE 3-4: PROGRAM CODE MEMORY FLOW**



**FIGURE 3-5: TABLE WRITE AND START PROGRAMMING INSTRUCTION TIMING (1111)**



## 3.2.1 MODIFYING CODE MEMORY

The previous programming example assumed that the device had been Bulk Erased prior to programming (see **Section 3.1.1 “High-Voltage ICSP Bulk Erase”**). It may be the case, however, that the user wishes to modify only a section of an already programmed device.

The appropriate number of bytes required for the erase buffer must be read out of code memory (as described in **Section 4.2 “Verify Code Memory and ID Locations”**) and buffered. Modifications can be made on this buffer. Then, the block of code memory that was read out must be erased and rewritten with the modified data.

The WREN bit must be set if the WR bit in EECON1 is used to initiate a write sequence.

**TABLE 3-6: MODIFYING CODE MEMORY**

4-Bit Command	Data Payload	Core Instruction
Step 1: Direct access to code memory.		
Step 2: Read and modify code memory (see <b>Section 4.1 “Read Code Memory, ID Locations and Configuration Bits”</b> ).		
0000	8E A6	BSF EECON1, EEPGD
0000	9C A6	BCF EECON1, CFGS
Step 3: Set the Table Pointer for the block to be erased.		
0000	0E <Addr[21:16]>	MOVLW <Addr[21:16]>
0000	6E F8	MOVWF TBLPTRU
0000	0E <Addr[8:15]>	MOVLW <Addr[8:15]>
0000	6E F7	MOVWF TBLPTRH
0000	0E <Addr[7:0]>	MOVLW <Addr[7:0]>
0000	6E F6	MOVWF TBLPTRL
Step 4: Enable memory writes and set up an erase.		
0000	84 A6	BSF EECON1, WREN
0000	88 A6	BSF EECON1, FREE
Step 5: Initiate erase.		
0000	82 A6	BSF EECON1, WR
0000	00 00	NOP - hold PGC high for time P9 and low for time P10.
Step 6: Load write buffer. The correct bytes will be selected based on the Table Pointer.		
0000	0E <Addr[21:16]>	MOVLW <Addr[21:16]>
0000	6E F8	MOVWF TBLPTRU
0000	0E <Addr[8:15]>	MOVLW <Addr[8:15]>
0000	6E F7	MOVWF TBLPTRH
0000	0E <Addr[7:0]>	MOVLW <Addr[7:0]>
0000	6E F6	MOVWF TBLPTRL
1101	<MSB><LSB>	Write 2 bytes and post-increment address by 2.
.	.	
.	.	Repeat as many times as necessary to fill the write buffer
.	.	
1111	<MSB><LSB>	Write 2 bytes and start programming.
0000	00 00	NOP - hold PGC high for time P9 and low for time P10.
To continue modifying data, repeat Steps 2 through 6, where the Address Pointer is incremented by the appropriate number of bytes (see Table 3-4) at each iteration of the loop. The write cycle must be repeated enough times to completely rewrite the contents of the erase buffer.		
Step 7: Disable writes.		
0000	94 A6	BCF EECON1, WREN

## 3.3 Data EEPROM Programming

**Note:** Data EEPROM programming is **not** available on the the following devices:

- PIC18F2410
- PIC18F2450
- PIC18F2510
- PIC18F2515
- PIC18F2610
- PIC18F4410
- PIC18F4450
- PIC18F4510
- PIC18F4515
- PIC18F4610

Data EEPROM is accessed one byte at a time via an Address Pointer (register pair: EEADRH:EEADR) and a data latch (EEDATA). Data EEPROM is written by loading EEADRH:EEADR with the desired memory location, EEDATA, with the data to be written and initiating a memory write by appropriately configuring the EECON1 register. A byte write automatically erases the location and writes the new data (erase-before-write).

When using the EECON1 register to perform a data EEPROM write, both the EEPGD and CFGS bits must be cleared ( $EECON1\langle 7:6 \rangle = 00$ ). The WREN bit must be set ( $EECON1\langle 2 \rangle = 1$ ) to enable writes of any sort and this must be done prior to initiating a write sequence. The write sequence is initiated by setting the WR bit ( $EECON1\langle 1 \rangle = 1$ ).

The write begins on the falling edge of the 4th PGC after the WR bit is set. It ends when the WR bit is cleared by hardware.

After the programming sequence terminates, PGC must still be held low for the time specified by parameter P10 to allow high-voltage discharge of the memory array.

FIGURE 3-6: PROGRAM DATA FLOW

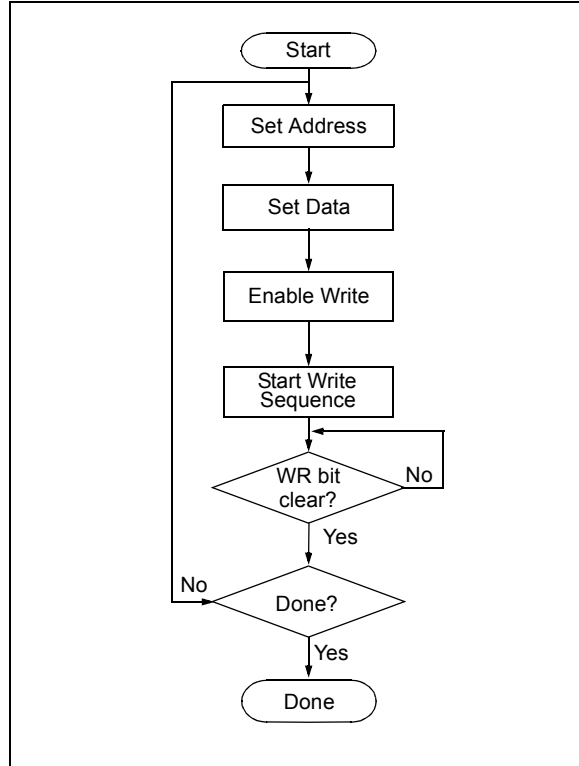
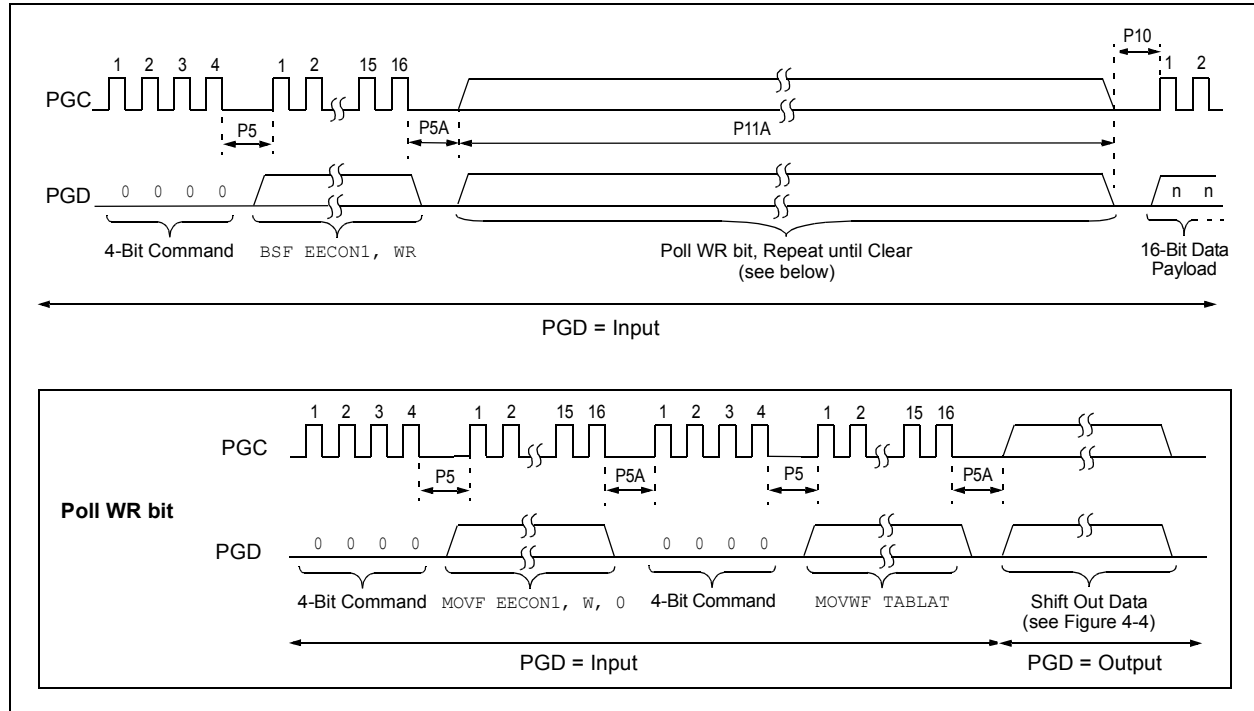


FIGURE 3-7: DATA EEPROM WRITE TIMING



# PIC18F2XXX/4XXX FAMILY

**TABLE 3-7: PROGRAMMING DATA MEMORY**

4-Bit Command	Data Payload	Core Instruction
Step 1: Direct access to data EEPROM.		
0000	9E A6	BCF EECON1, EEPGD
0000	9C A6	BCF EECON1, CFGS
Step 2: Set the data EEPROM Address Pointer.		
0000	0E <Addr>	MOVLW <Addr>
0000	6E A9	MOVWF EEADR
0000	0E <AddrH>	MOVLW <AddrH>
0000	6E AA	MOVWF EEADRH
Step 3: Load the data to be written.		
0000	0E <Data>	MOVLW <Data>
0000	6E A8	MOVWF EEDATA
Step 4: Enable memory writes.		
0000	84 A6	BSF EECON1, WREN
Step 5: Initiate write.		
0000	82 A6	BSF EECON1, WR
Step 6: Poll WR bit, repeat until the bit is clear.		
0000	50 A6	MOVF EECON1, W, 0
0000	6E F5	MOVWF TABLAT
0000	00 00	NOP
0010	<MSB><LSB>	Shift out data <sup>(1)</sup>
Step 7: Hold PGC low for time P10.		
Step 8: Disable writes.		
0000	94 A6	BCF EECON1, WREN
Repeat steps 2 through 8 to write more data.		

**Note 1:** See Figure 4-4 for details on shift out data timing.



## 3.4 ID Location Programming

The ID locations are programmed much like the code memory. The ID registers are mapped in addresses 200000h through 200007h. These locations read out normally even after code protection.

**Note:** The user only needs to fill the first 8 bytes of the write buffer in order to write the ID locations.

Table 3-8 demonstrates the code sequence required to write the ID locations.

In order to modify the ID locations, refer to the methodology described in **Section 3.2.1 “Modifying Code Memory”**. As with code memory, the ID locations must be erased before being modified.

**TABLE 3-8: WRITE ID SEQUENCE**

4-Bit Command	Data Payload	Core Instruction
Step 1: Direct access to code memory and enable writes.		
0000	8E A6	BSF EECON1, EEPGD
0000	9C A6	BCF EECON1, CFGS
Step 2: Load write buffer with 8 bytes and write.		
0000	0E 20	MOVLW 20h
0000	6E F8	MOVWF TBLPTRU
0000	0E 00	MOVLW 00h
0000	6E F7	MOVWF TBLPTRH
0000	0E 00	MOVLW 00h
0000	6E F6	MOVWF TBLPTRL
1101	<MSB><LSB>	Write 2 bytes and post-increment address by 2.
1101	<MSB><LSB>	Write 2 bytes and post-increment address by 2.
1101	<MSB><LSB>	Write 2 bytes and post-increment address by 2.
1111	<MSB><LSB>	Write 2 bytes and start programming.
0000	00 00	NOP - hold PGC high for time P9 and low for time P10.

## 3.5 Boot Block Programming

The code sequence detailed in Table 3-5 should be used, except that the address used in “Step 2” will be in the range of 000000h to 0007FFh.

## 3.6 Configuration Bits Programming

Unlike code memory, the Configuration bits are programmed a byte at a time. The Table Write, Begin Programming 4-bit command (‘1111’) is used, but only 8 bits of the following 16-bit payload will be written. The LSB of the payload will be written to even addresses and the MSB will be written to odd addresses. The code sequence to program two consecutive configuration locations is shown in Table 3-9.

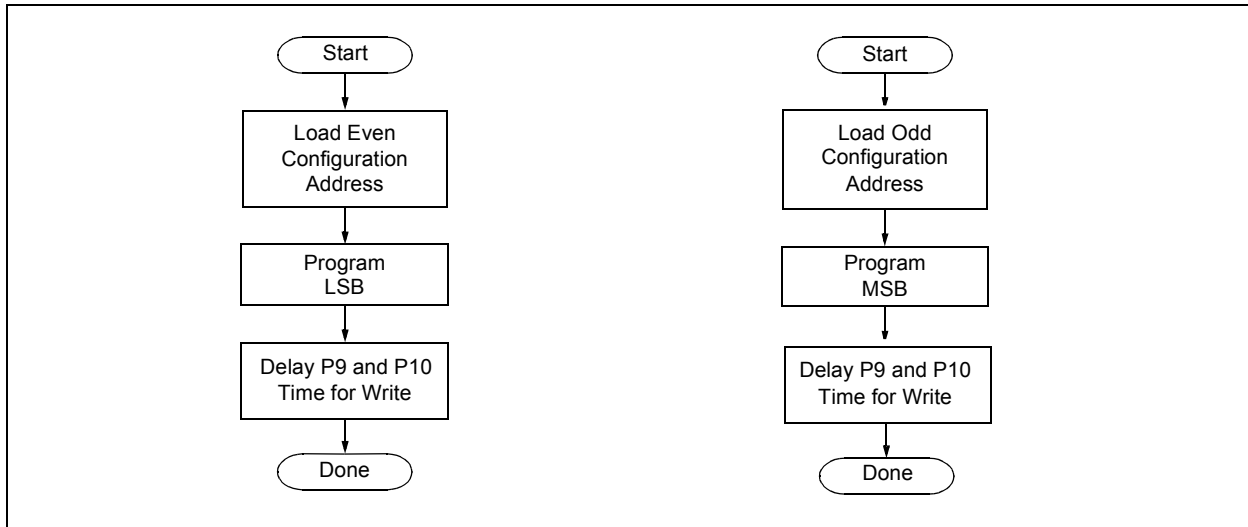
**Note:** The address must be explicitly written for each byte programmed. The addresses can not be incremented in this mode.

**TABLE 3-9: SET ADDRESS POINTER TO CONFIGURATION LOCATION**

4-Bit Command	Data Payload	Core Instruction
Step 1: Enable writes and direct access to configuration memory.		
0000	8E A6	BSF EECON1, EEPGD
0000	8C A6	BSF EECON1, CFGS
Step 2: Set Table Pointer for configuration byte to be written. Write even/odd addresses. <sup>(1)</sup>		
0000	0E 30	MOVLW 30h
0000	6E F8	MOVWF TBLPTRU
0000	0E 00	MOVLW 00h
0000	6E F7	MOVWF TBLPRTH
0000	0E 00	MOVLW 00h
0000	6E F6	MOVWF TBLPTRL
1111	<MSB ignored><LSB>	Load 2 bytes and start programming.
0000	00 00	NOP - hold PGC high for time P9 and low for time P10.
0000	0E 01	MOVLW 01h
0000	6E F6	MOVWF TBLPTRL
1111	<MSB><LSB ignored>	Load 2 bytes and start programming.
0000	00 00	NOP - hold PGC high for time P9 and low for time P10.

**Note 1:** Enabling the write protection of Configuration bits (WRTC = 0 in CONFIG6H) will prevent further writing of Configuration bits. Always write all the Configuration bits before enabling the write protection for Configuration bits.

**FIGURE 3-8: CONFIGURATION PROGRAMMING FLOW**



## 4.0 READING THE DEVICE

### 4.1 Read Code Memory, ID Locations and Configuration Bits

Code memory is accessed one byte at a time via the 4-bit command, '1001' (table read, post-increment). The contents of memory pointed to by the Table Pointer (TBLPTRU:TBLPTRH:TBLPTRL) are serially output on PGD.

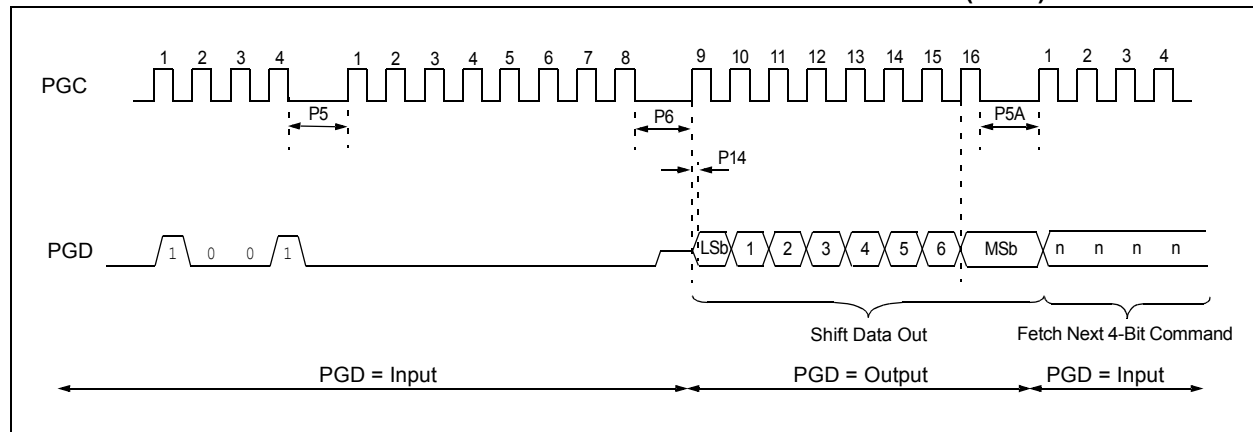
The 4-bit command is shifted in LSb first. The read is executed during the next 8 clocks, then shifted out on PGD during the last 8 clocks, LSb to MSb. A delay of P6 must be introduced after the falling edge of the 8th PGC of the operand to allow PGD to transition from an input to an output. During this time, PGC must be held low (see Figure 4-1). This operation also increments the Table Pointer by one, pointing to the next byte in code memory for the next read.

This technique will work to read any memory in the 000000h to 3FFFFFFh address space, so it also applies to the reading of the ID and Configuration registers.

**TABLE 4-1: READ CODE MEMORY SEQUENCE**

4-Bit Command	Data Payload	Core Instruction
Step 1: Set Table Pointer.		
0000	0E <Addr[21:16]>	MOVLW Addr[21:16]
0000	6E F8	MOVWF TBLPTRU
0000	0E <Addr[15:8]>	MOVLW <Addr[15:8]>
0000	6E F7	MOVWF TBLPTRH
0000	0E <Addr[7:0]>	MOVLW <Addr[7:0]>
0000	6E F6	MOVWF TBLPTRL
Step 2: Read memory and then shift out on PGD, LSb to MSb.		
1001	00 00	TBLRD *+

**FIGURE 4-1: TABLE READ POST-INCREMENT INSTRUCTION TIMING (1001)**

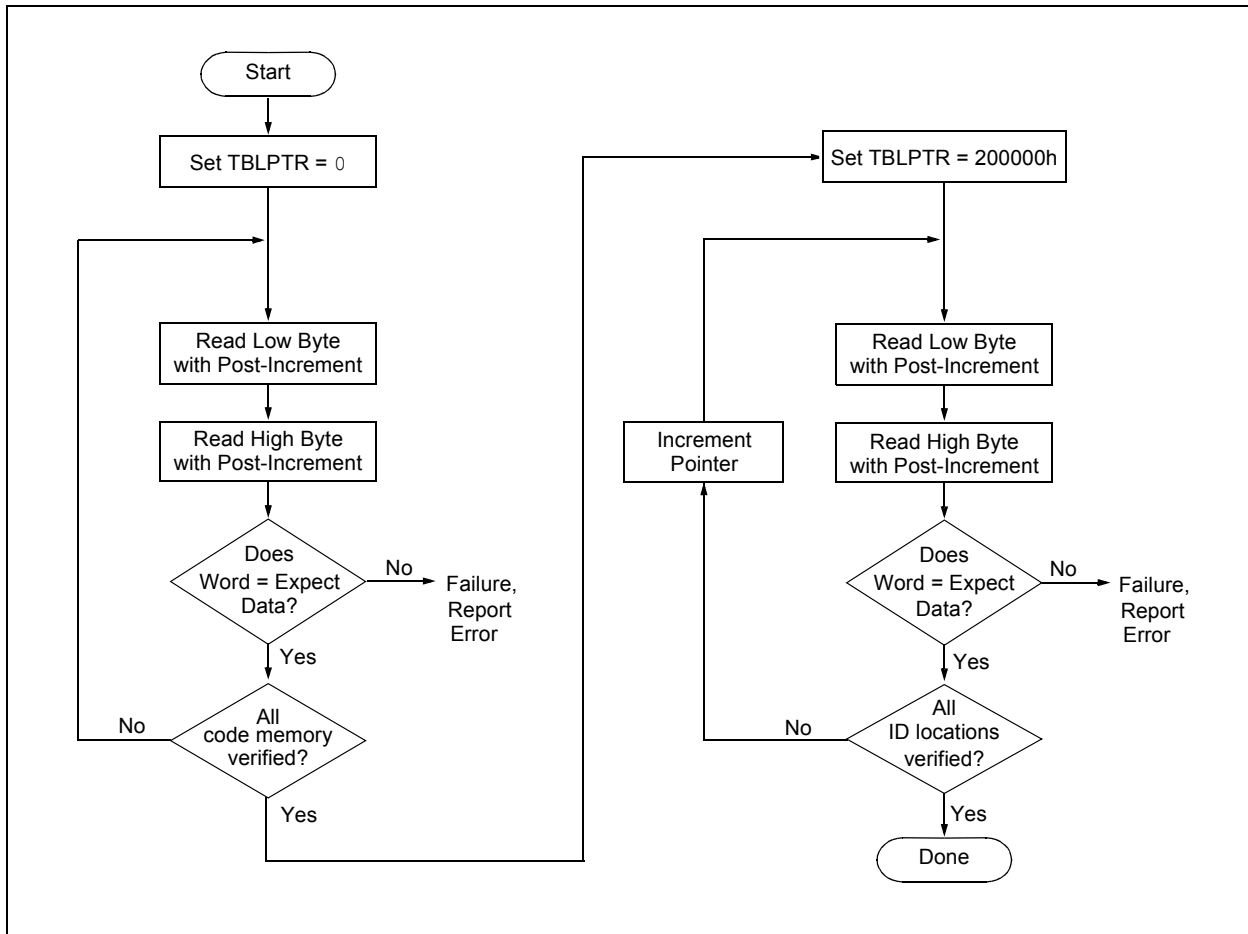


## 4.2 Verify Code Memory and ID Locations

The verify step involves reading back the code memory space and comparing it against the copy held in the programmer's buffer. Memory reads occur a single byte at a time, so two bytes must be read to compare against the word in the programmer's buffer. Refer to **Section 4.1 "Read Code Memory, ID Locations and Configuration Bits"** for implementation details of reading code memory.

The Table Pointer must be manually set to 200000h (base address of the ID locations) once the code memory has been verified. The post-increment feature of the table read 4-bit command may not be used to increment the Table Pointer beyond the code memory space. In a 64-Kbyte device, for example, a post-increment read of address FFFFh will wrap the Table Pointer back to 000000h, rather than point to the unimplemented address, 010000h.

**FIGURE 4-2: VERIFY CODE MEMORY FLOW**



### 4.3 Verify Configuration Bits

A configuration address may be read and output on PGD via the 4-bit command, '1001'. Configuration data is read and written in a byte-wise fashion, so it is not necessary to merge two bytes into a word prior to a compare. The result may then be immediately compared to the appropriate configuration data in the programmer's memory for verification. Refer to **Section 4.1 "Read Code Memory, ID Locations and Configuration Bits"** for implementation details of reading configuration data.

### 4.4 Read Data EEPROM Memory

Data EEPROM is accessed one byte at a time via an Address Pointer (register pair: EEADRH:EEADR) and a data latch (EEDATA). Data EEPROM is read by loading EEADRH:EEADR with the desired memory location and initiating a memory read by appropriately configuring the EECON1 register. The data will be loaded into EEDATA, where it may be serially output on PGD via the 4-bit command, '0010' (Shift Out Data Holding register). A delay of P6 must be introduced after the falling edge of the 8th PGC of the operand to allow PGD to transition from an input to an output. During this time, PGC must be held low (see Figure 4-4).

The command sequence to read a single byte of data is shown in Table 4-2.

FIGURE 4-3: READ DATA EEPROM FLOW

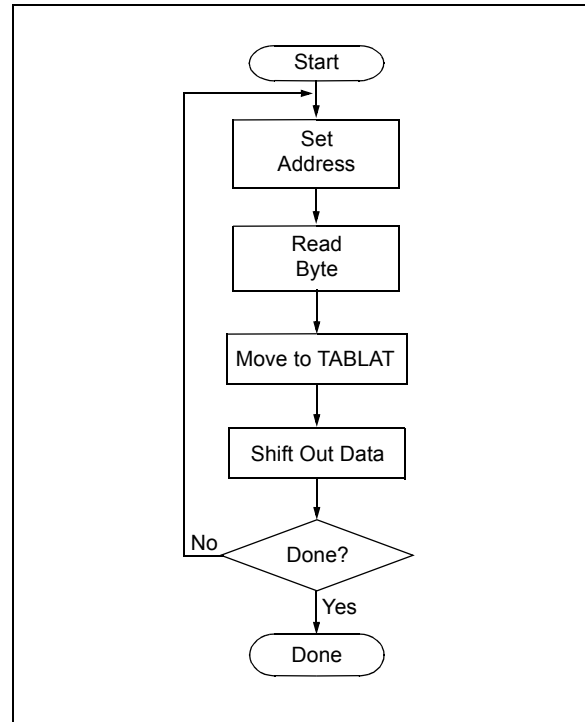
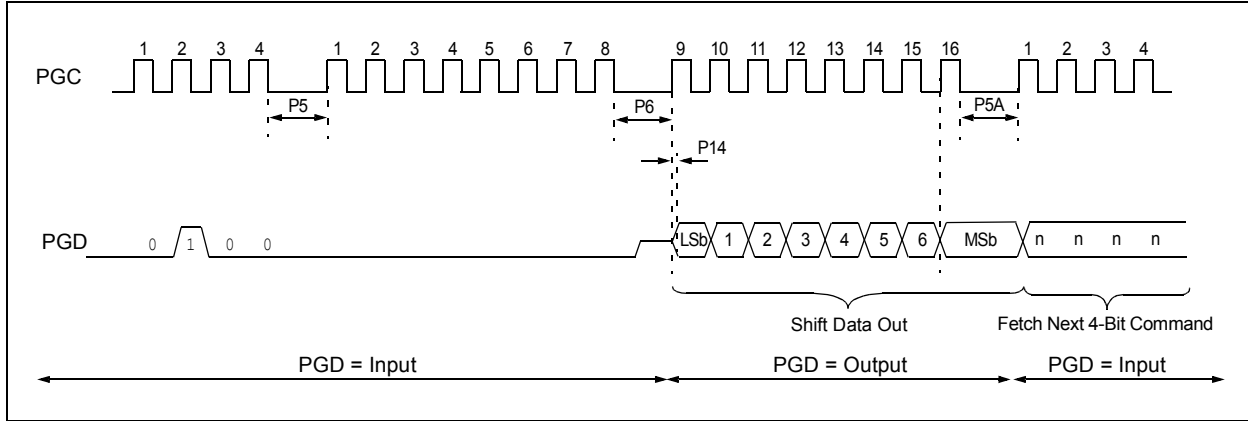


TABLE 4-2: READ DATA EEPROM MEMORY

4-Bit Command	Data Payload	Core Instruction
Step 1: Direct access to data EEPROM.		
0000	9E A6	BCF EECON1, EEPGD
0000	9C A6	BCF EECON1, CFGS
Step 2: Set the data EEPROM Address Pointer.		
0000	0E <Addr>	MOVLW <Addr>
0000	6E A9	MOVWF EEADR
0000	0E <AddrH>	MOVLW <AddrH>
0000	6E AA	MOVWF EEADRH
Step 3: Initiate a memory read.		
0000	80 A6	BSF EECON1, RD
Step 4: Load data into the Serial Data Holding register.		
0000	50 A8	MOVF EEDATA, W, 0
0000	6E F5	MOVWF TABLAT
0000	00 00	NOP
0010	<MSB><LSB>	Shift Out Data <sup>(1)</sup>

**Note 1:** The <LSB> is undefined. The <MSB> is the data.

**FIGURE 4-4: SHIFT OUT DATA HOLDING REGISTER TIMING (0010)**



## 4.5 Verify Data EEPROM

A data EEPROM address may be read via a sequence of core instructions (4-bit command, '0000') and then output on PGD via the 4-bit command, '0010' (TABLAT register). The result may then be immediately compared to the appropriate data in the programmer's memory for verification. Refer to **Section 4.4 "Read Data EEPROM Memory"** for implementation details of reading data EEPROM.

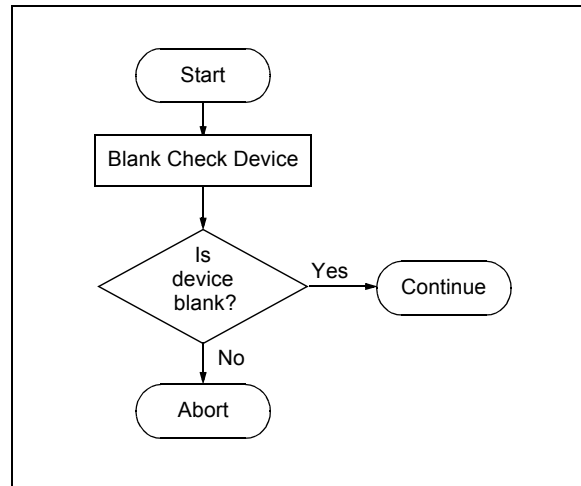
## 4.6 Blank Check

The term "Blank Check" means to verify that the device has no programmed memory cells. All memories must be verified: code memory, data EEPROM, ID locations and Configuration bits. The Device ID registers (3FFFFEh:3FFFFFFh) should be ignored.

A "blank" or "erased" memory cell will read as '1'. Therefore, Blank Checking a device merely means to verify that all bytes read as FFh except the Configuration bits. Unused (reserved) Configuration bits will read '0' (programmed). Refer to Figure 4-5 for blank configuration expect data for the various PIC18F2XXX/4XXX family devices.

Given that Blank Checking is merely code and data EEPROM verification with FFh expect data, refer to **Section 4.4 "Read Data EEPROM Memory"** and **Section 4.2 "Verify Code Memory and ID Locations"** for implementation details.

**FIGURE 4-5: BLANK CHECK FLOW**



## 5.0 CONFIGURATION WORD

The PIC18F2XXX/4XXX family devices have several Configuration Words. These bits can be set or cleared to select various device configurations. All other memory areas should be programmed and verified prior to setting Configuration Words. These bits may be read out normally, even after read or code protection. See Table 5-1 for a list of Configuration bits and device IDs and Table 5-3 for the Configuration bit descriptions.

### 5.1 ID Locations

A user may store identification information (ID) in eight ID locations mapped in 200000h:200007h. It is recommended that the most significant nibble of each ID be Fh. In doing so, if the user code inadvertently tries to execute from the ID space, the ID data will execute as a NOP.

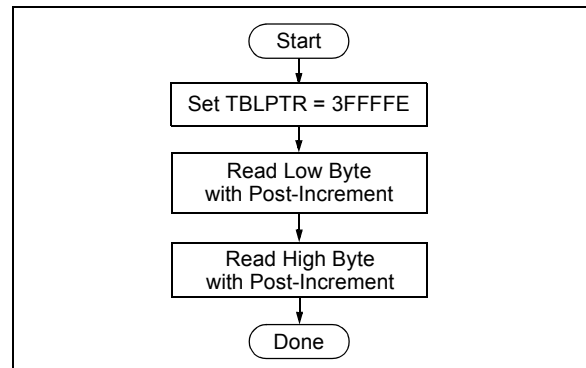
### 5.2 Device ID Word

The Device ID Word for the PIC18F2XXX/4XXX family devices is located at 3FFFFEh:3FFFFFh. These bits may be used by the programmer to identify what device type is being programmed and read out normally, even after code or read protection.

In some cases, devices may share the same DEVID values. In such cases, the Most Significant bit of the device revision, REV4 (DEVID1<4>), will need to be examined to completely determine the device being accessed.

See Table 5-2 for a complete list of device ID values.

**FIGURE 5-1: READ DEVICE ID WORD FLOW**



# PIC18F2XXX/4XXX FAMILY

**TABLE 5-1: CONFIGURATION BITS AND DEVICE IDS**

File Name	Bit 7	Bit 6	Bit 5	Bit 4	Bit 3	Bit 2	Bit 1	Bit 0	Default/ Unprogrammed Value			
300000h <sup>(1,8)</sup>	CONFIG1L	—	—	USBDIV	CPUDIV1	CPUDIV0	PLLDIV2	PLLDIV1	PLLDIV0	--00 0000		
300001h	CONFIG1H	IESO	FCMEN	—	—	FOSC3	FOSC2	FOSC1	FOSC0	00-- 0111 00-- 0101 <sup>(1,8)</sup>		
300002h	CONFIG2L	—	—	—	BORV1	BORV0	BOREN1	BOREN0	PWRTEN	---1 1111 --01 1111 <sup>(1,8)</sup>		
300003h	CONFIG2H	—	—	—	WDTPS3	WDTPS2	WDTPS1	WDTPS0	WDTEN	---1 1111		
300005h	CONFIG3H	MCLRE	—	—	—	—	LPT1OSC	PBADEN	CCP2MX <sup>(7)</sup>	1--- -011 <sup>(7)</sup> 1--- -01-		
300006h	CONFIG4L	DEBUG	XINST	ICPRT <sup>(1)</sup>	—	—	LVP	—	STVREN	100- -1-1 <sup>(1)</sup> 1000 -1-1 10-0 -1-1 <sup>(3)</sup> 100- 01-1 <sup>(8)</sup> 1000 -1-1 <sup>(2)</sup>		
				BBSIZ1	BBSIZ0	—						
				—	BBSIZ <sup>(3)</sup>	—						
				ICPRT <sup>(8)</sup>	—	BBSIZ <sup>(8)</sup>						
				BBSIZ1 <sup>(2)</sup>	BBSIZ2 <sup>(2)</sup>	—						
300008h	CONFIG5L	—	—	CP5 <sup>(10)</sup>	CP4 <sup>(9)</sup>	CP3 <sup>(4)</sup>	CP2 <sup>(4)</sup>	CP1	CP0	--11 1111		
300009h	CONFIG5H	CPD	CPB	—	—	—	—	—	—	11-- ----		
30000Ah	CONFIG6L	—	—	WRT5 <sup>(10)</sup>	WRT4 <sup>(9)</sup>	WRT3 <sup>(4)</sup>	WRT2 <sup>(4)</sup>	WRT1	WRT0	--11 1111		
30000Bh	CONFIG6H	WRWD	WRWB	WRWC <sup>(5)</sup>	—	—	—	—	—	111- ----		
30000Ch	CONFIG7L	—	—	EBTR5 <sup>(10)</sup>	EBTR4 <sup>(9)</sup>	EBTR3 <sup>(4)</sup>	EBTR2 <sup>(4)</sup>	EBTR1	EBTR0	--11 1111		
30000Dh	CONFIG7H	—	EBTRB	—	—	—	—	—	—	-1-- ----		
3FFFFEh	DEVID1 <sup>(6)</sup>	DEV2	DEV1	DEV0	REV4	REV3	REV2	REV1	REV0	See Table 5-2		
3FFFFFh	DEVID2 <sup>(6)</sup>	DEV10	DEV9	DEV8	DEV7	DEV6	DEV5	DEV4	DEV3	See Table 5-2		

**Legend:** - = unimplemented. Shaded cells are unimplemented, read as '0'.

- Note**
- 1: Implemented only in PIC18F2455/2550/4455/4550 and PIC18F2458/2553/4458/4553 devices.
  - 2: Implemented in PIC18F2585/2680/4585/4680, PIC18F2682/2685 and PIC18F4682/4685 devices only.
  - 3: Implemented in PIC18F2480/2580/4480/4580 devices only.
  - 4: These bits are only implemented on specific devices based on available memory. Refer to **Section 2.3 “Memory Maps”**.
  - 5: In PIC18F2480/2580/4480/4580 devices, this bit is read-only in Normal Execution mode; it can be written only in Program mode.
  - 6: DEVID registers are read-only and cannot be programmed by the user.
  - 7: Implemented in all devices with the exception of the PIC18FXX8X and PIC18F2450/4450 devices.
  - 8: Implemented in PIC18F2450/4450 devices only.
  - 9: Implemented in PIC18F2682/2685 and PIC18F4682/4685 devices only.
  - 10: Implemented in PIC18F2685/4685 devices only.



**TABLE 5-2: DEVICE ID VALUES**

Device	Device ID Value	
	DEVID2	DEVID1
PIC18F2221	21h	011x xxxx
PIC18F2321	21h	001x xxxx
PIC18F2410	11h	011x xxxx
PIC18F2420	11h	010x xxxx <sup>(1)</sup>
PIC18F2423	11h	010x xxxx <sup>(2)</sup>
PIC18F2450	24h	001x xxxx
PIC18F2455	12h	011x xxxx
PIC18F2458	2Ah	011x xxxx
PIC18F2480	1Ah	111x xxxx
PIC18F2510	11h	001x xxxx
PIC18F2515	0Ch	111x xxxx
PIC18F2520	11h	000x xxxx <sup>(1)</sup>
PIC18F2523	11h	000x xxxx <sup>(2)</sup>
PIC18F2525	0Ch	110x xxxx
PIC18F2550	12h	010x xxxx
PIC18F2553	2Ah	010x xxxx
PIC18F2580	1Ah	110x xxxx
PIC18F2585	0Eh	111x xxxx
PIC18F2610	0Ch	101x xxxx
PIC18F2620	0Ch	100x xxxx
PIC18F2680	0Eh	110x xxxx
PIC18F2682	27h	000x xxxx
PIC18F2685	27h	001x xxxx
PIC18F4221	21h	010x xxxx
PIC18F4321	21h	000x xxxx
PIC18F4410	10h	111x xxxx
PIC18F4420	10h	110x xxxx <sup>(1)</sup>
PIC18F4423	10h	110x xxxx <sup>(2)</sup>
PIC18F4450	24h	000x xxxx
PIC18F4455	12h	001x xxxx
PIC18F4458	2Ah	001x xxxx
PIC18F4480	1Ah	101x xxxx
PIC18F4510	10h	101x xxxx
PIC18F4515	0Ch	011x xxxx
PIC18F4520	10h	100x xxxx <sup>(1)</sup>
PIC18F4523	10h	100x xxxx <sup>(2)</sup>
PIC18F4525	0Ch	010x xxxx
PIC18F4550	12h	000x xxxx
PIC18F4553	2Ah	000x xxxx
PIC18F4580	1Ah	100x xxxx
PIC18F4585	0Eh	101x xxxx
PIC18F4610	0Ch	001x xxxx

**Legend:** The 'x's in DEVID1 contain the device revision code.

**Note 1:** DEVID1 bit 4 is used to determine the device type (REV4 = 0).

**2:** DEVID1 bit 4 is used to determine the device type (REV4 = 1).

# PIC18F2XXX/4XXX FAMILY

**TABLE 5-2: DEVICE ID VALUES (CONTINUED)**

Device	Device ID Value	
	DEVID2	DEVID1
PIC18F4620	0Ch	000x xxxx
PIC18F4680	0Eh	100x xxxx
PIC18F4682	27h	010x xxxx
PIC18F4685	27h	011x xxxx

**Legend:** The 'x's in DEVID1 contain the device revision code.

**Note 1:** DEVID1 bit 4 is used to determine the device type (REV4 = 0).

**2:** DEVID1 bit 4 is used to determine the device type (REV4 = 1).

**TABLE 5-3: PIC18F2XXX/4XXX FAMILY BIT DESCRIPTIONS**

Bit Name	Configuration Words	Description
IESO	CONFIG1H	Internal External Switchover bit 1 = Internal External Switchover mode enabled 0 = Internal External Switchover mode disabled
FCMEN	CONFIG1H	Fail-Safe Clock Monitor Enable bit 1 = Fail-Safe Clock Monitor enabled 0 = Fail-Safe Clock Monitor disabled
FOSC3:FOSC0	CONFIG1H	Oscillator Selection bits 11xx = External RC oscillator, CLKO function on RA6 101x = External RC oscillator, CLKO function on RA6 1001 = Internal RC oscillator, CLKO function on RA6, port function on RA7 1000 = Internal RC oscillator, port function on RA6, port function on RA7 0111 = External RC oscillator, port function on RA6 0110 = HS oscillator, PLL enabled (Clock Frequency = 4 x FOSC1) 0101 = EC oscillator, port function on RA6 0100 = EC oscillator, CLKO function on RA6 0011 = External RC oscillator, CLKO function on RA6 0010 = HS oscillator 0001 = XT oscillator 0000 = LP oscillator
FOSC3:FOSC0	CONFIG1H	Oscillator Selection bits <b>(PIC18F2455/2550/4455/4550, PIC18F2458/2553/4458/4553 and PIC18F2450/4450 devices only)</b> 111x = HS oscillator, PLL enabled, HS used by USB 110x = HS oscillator, HS used by USB 1011 = Internal oscillator, HS used by USB 1010 = Internal oscillator, XT used by USB 1001 = Internal oscillator, CLKO function on RA6, EC used by USB 1000 = Internal oscillator, port function on RA6, EC used by USB 0111 = EC oscillator, PLL enabled, CLKO function on RA6, EC used by USB 0110 = EC oscillator, PLL enabled, port function on RA6, EC used by USB 0101 = EC oscillator, CLKO function on RA6, EC used by USB 0100 = EC oscillator, port function on RA6, EC used by USB 001x = XT oscillator, PLL enabled, XT used by USB 000x = XT oscillator, XT used by USB

**Note 1:** The The BBSIZ bit, BBSIZ1:BBSIZ0 and BBSIZ1:BBSIZ2 bits cannot be changed once any of the following code-protect bits are enabled: CPB or CP0, WRTB or WRT0, EBTRB or EBTR0.

**2:** Not available in PIC18FXX8X and PIC18F2450/4450 devices.

**TABLE 5-3: PIC18F2XXX/4XXX FAMILY BIT DESCRIPTIONS (CONTINUED)**

Bit Name	Configuration Words	Description
USBDIV	CONFIG1L	<p>USB Clock Selection bit  <b>(PIC18F2455/2550/4455/4550, PIC18F2458/2553/4458/4553 and PIC18F2450/4450 devices only)</b></p> <p>Selects the clock source for full-speed USB operation:            1 = USB clock source comes from the 96 MHz PLL divided by 2            0 = USB clock source comes directly from the OSC1/OSC2 oscillator block; no divide</p>
CPUDIV1: CPUDIV0	CONFIG1L	<p>CPU System Clock Selection bits  <b>(PIC18F2455/2550/4455/4550, PIC18F2458/2553/4458/4553 and PIC18F2450/4450 devices only)</b></p> <p>11 = CPU system clock divided by 4            10 = CPU system clock divided by 3            01 = CPU system clock divided by 2            00 = No CPU system clock divide</p>
PLLDIV2: PLLDIV0	CONFIG1L	<p>Oscillator Selection bits  <b>(PIC18F2455/2550/4455/4550, PIC18F2458/2553/4458/4553 and PIC18F2450/4450 devices only)</b></p> <p>Divider must be selected to provide a 4 MHz input into the 96 MHz PLL:            111 = Oscillator divided by 12 (48 MHz input)            110 = Oscillator divided by 10 (40 MHz input)            101 = Oscillator divided by 6 (24 MHz input)            100 = Oscillator divided by 5 (20 MHz input)            011 = Oscillator divided by 4 (16 MHz input)            010 = Oscillator divided by 3 (12 MHz input)            001 = Oscillator divided by 2 (8 MHz input)            000 = No divide – oscillator used directly (4 MHz input)</p>
VREGEN	CONFIG2L	<p>USB Voltage Regulator Enable bit  <b>(PIC18F2455/2550/4455/4550, PIC18F2458/2553/4458/4553 and PIC18F2450/4450 devices only)</b></p> <p>1 = USB voltage regulator enabled            0 = USB voltage regulator disabled</p>
BORV1:BORV0	CONFIG2L	<p>Brown-out Reset Voltage bits</p> <p>11 = VBOR set to 2.0V            10 = VBOR set to 2.7V            01 = VBOR set to 4.2V            00 = VBOR set to 4.5V</p>
BOREN1:BOREN0	CONFIG2L	<p>Brown-out Reset Enable bits</p> <p>11 = Brown-out Reset enabled in hardware only (SBOREN is disabled)            10 = Brown-out Reset enabled in hardware only and disabled in Sleep mode (SBOREN is disabled)            01 = Brown-out Reset enabled and controlled by software (SBOREN is enabled)            00 = Brown-out Reset disabled in hardware and software</p>
PWRTEN	CONFIG2L	<p>Power-up Timer Enable bit</p> <p>1 = PWRT disabled            0 = PWRT enabled</p>

**Note 1:** The The BBSIZ bit, BBSIZ1:BBSIZ0 and BBSIZ1:BBSIZ2 bits cannot be changed once any of the following code-protect bits are enabled: CPB or CP0, WRTB or WRT0, EBTRB or EBTR0.

**2:** Not available in PIC18FXX8X and PIC18F2450/4450 devices.

# PIC18F2XXX/4XXX FAMILY

**TABLE 5-3: PIC18F2XXX/4XXX FAMILY BIT DESCRIPTIONS (CONTINUED)**

Bit Name	Configuration Words	Description
WDPS3:WDPS0	CONFIG2H	Watchdog Timer Postscaler Select bits 1111 = 1:32,768 1110 = 1:16,384 1101 = 1:8,192 1100 = 1:4,096 1011 = 1:2,048 1010 = 1:1,024 1001 = 1:512 1000 = 1:256 0111 = 1:128 0110 = 1:64 0101 = 1:32 0100 = 1:16 0011 = 1:8 0010 = 1:4 0001 = 1:2 0000 = 1:1
WDTEN	CONFIG2H	Watchdog Timer Enable bit 1 = WDT enabled 0 = WDT disabled (control is placed on SWDTEN bit)
MCLRE	CONFIG3H	$\overline{\text{MCLR}}$ Pin Enable bit 1 = $\overline{\text{MCLR}}$ pin enabled, RE3 input pin disabled 0 = RE3 input pin enabled, $\overline{\text{MCLR}}$ pin disabled
LPT1OSC	CONFIG3H	Low-Power Timer1 Oscillator Enable bit 1 = Timer1 configured for low-power operation 0 = Timer1 configured for high-power operation
PBADEN	CONFIG3H	PORTB A/D Enable bit 1 = PORTB A/D<4:0> pins are configured as analog input channels on Reset 0 = PORTB A/D<4:0> pins are configured as digital I/O on Reset
PBADEN	CONFIG3H	PORTB A/D Enable bit ( <b>PIC18FXX8X devices only</b> ) 1 = PORTB A/D<4:0> and PORTB A/D<1:0> pins are configured as analog input channels on Reset 0 = PORTB A/D<4:0> pins are configured as digital I/O on Reset
CCP2MX	CONFIG3H	CCP2 MUX bit 1 = CCP2 input/output is multiplexed with RC1 <sup>(2)</sup> 0 = CCP2 input/output is multiplexed with RB3
DEBUG	CONFIG4L	Background Debugger Enable bit 1 = Background debugger disabled, RB6 and RB7 configured as general purpose I/O pins 0 = Background debugger enabled, RB6 and RB7 are dedicated to In-Circuit Debug
XINST	CONFIG4L	Extended Instruction Set Enable bit 1 = Instruction set extension and Indexed Addressing mode enabled 0 = Instruction set extension and Indexed Addressing mode disabled (Legacy mode)

**Note 1:** The BBSIZ bit, BBSIZ1:BBSIZ0 and BBSIZ1:BBSIZ2 bits cannot be changed once any of the following code-protect bits are enabled: CPB or CP0, WRTB or WRT0, EBTRB or EBTR0.

**2:** Not available in PIC18FXX8X and PIC18F2450/4450 devices.

**TABLE 5-3: PIC18F2XXX/4XXX FAMILY BIT DESCRIPTIONS (CONTINUED)**

Bit Name	Configuration Words	Description
ICPRT	CONFIG4L	Dedicated In-Circuit (ICD/ICSP™) Port Enable bit <b>(PIC18F2455/2550/4455/4550, PIC18F2458/2553/4458/4553 and PIC18F2450/4450 devices only)</b> 1 = ICPORT enabled 0 = ICPORT disabled
BBSIZ1:BBSIZ0 <sup>(1)</sup>	CONFIG4L	Boot Block Size Select bits <b>(PIC18F2585/2680/4585/4680 devices only)</b> 11 = 4K words (8 Kbytes) Boot Block 10 = 4K words (8 Kbytes) Boot Block 01 = 2K words (4 Kbytes) Boot Block 00 = 1K word (2 Kbytes) Boot Block
BBSIZ1:BBSIZ2 <sup>(1)</sup>	CONFIG4L	Boot Block Size Select bits <b>(PIC18F2682/2685/4582/4685 devices only)</b> 11 = 4K words (8 Kbytes) Boot Block 10 = 4K words (8 Kbytes) Boot Block 01 = 2K words (4 Kbytes) Boot Block 00 = 1K word (2 Kbytes) Boot Block
BBSIZ1:BBSIZ0 <sup>(1)</sup>	CONFIG4L	Boot Block Size Select bits <b>(PIC18F2321/4321 devices only)</b> 11 = 1K word (2 Kbytes) Boot Block 10 = 1K word (2 Kbytes) Boot Block 01 = 512 words (1 Kbyte) Boot Block 00 = 256 words (512 bytes) Boot Block  Boot Block Size Select bits <b>(PIC18F2221/4221 devices only)</b> 11 = 512 words (1 Kbyte) Boot Block 10 = 512 words (1 Kbyte) Boot Block 01 = 512 words (1 Kbyte) Boot Block 00 = 256 words (512 bytes) Boot Block
BBSIZ <sup>(1)</sup>	CONFIG4L	Boot Block Size Select bits <b>(PIC18F2480/2580/4480/4580 and PIC18F2450/4450 devices only)</b> 1 = 2K words (4 Kbytes) Boot Block 0 = 1K word (2 Kbytes) Boot Block
LVP	CONFIG4L	Low-Voltage Programming Enable bit 1 = Low-Voltage Programming enabled, RB5 is the PGM pin 0 = Low-Voltage Programming disabled, RB5 is an I/O pin
STVREN	CONFIG4L	Stack Overflow/Underflow Reset Enable bit 1 = Reset on stack overflow/underflow enabled 0 = Reset on stack overflow/underflow disabled
CP5	CONFIG5L	Code Protection bit (Block 5 code memory area) <b>(PIC18F2685 and PIC18F4685 devices only)</b> 1 = Block 5 is not code-protected 0 = Block 5 is code-protected
CP4	CONFIG5L	Code Protection bit (Block 4 code memory area) <b>(PIC18F2682/2685 and PIC18F4682/4685 devices only)</b> 1 = Block 4 is not code-protected 0 = Block 4 is code-protected
CP3	CONFIG5L	Code Protection bit (Block 3 code memory area) 1 = Block 3 is not code-protected 0 = Block 3 is code-protected

**Note 1:** The The BBSIZ bit, BBSIZ1:BBSIZ0 and BBSIZ1:BBSIZ2 bits cannot be changed once any of the following code-protect bits are enabled: CPB or CP0, WRTB or WRT0, EBTRB or EBTR0.

**2:** Not available in PIC18FXX8X and PIC18F2450/4450 devices.

# PIC18F2XXX/4XXX FAMILY

**TABLE 5-3: PIC18F2XXX/4XXX FAMILY BIT DESCRIPTIONS (CONTINUED)**

Bit Name	Configuration Words	Description
CP2	CONFIG5L	Code Protection bit (Block 2 code memory area) 1 = Block 2 is not code-protected 0 = Block 2 is code-protected
CP1	CONFIG5L	Code Protection bit (Block 1 code memory area) 1 = Block 1 is not code-protected 0 = Block 1 is code-protected
CP0	CONFIG5L	Code Protection bit (Block 0 code memory area) 1 = Block 0 is not code-protected 0 = Block 0 is code-protected
CPD	CONFIG5H	Code Protection bit (Data EEPROM) 1 = Data EEPROM is not code-protected 0 = Data EEPROM is code-protected
CPB	CONFIG5H	Code Protection bit (Boot Block memory area) 1 = Boot Block is not code-protected 0 = Boot Block is code-protected
WRT5	CONFIG6L	Write Protection bit (Block 5 code memory area) <b>(PIC18F2685 and PIC18F4685 devices only)</b> 1 = Block 5 is not write-protected 0 = Block 5 is write-protected
WRT4	CONFIG6L	Write Protection bit (Block 4 code memory area) <b>(PIC18F2682/2685 and PIC18F4682/4685 devices only)</b> 1 = Block 4 is not write-protected 0 = Block 4 is write-protected
WRT3	CONFIG6L	Write Protection bit (Block 3 code memory area) 1 = Block 3 is not write-protected 0 = Block 3 is write-protected
WRT2	CONFIG6L	Write Protection bit (Block 2 code memory area) 1 = Block 2 is not write-protected 0 = Block 2 is write-protected
WRT1	CONFIG6L	Write Protection bit (Block 1 code memory area) 1 = Block 1 is not write-protected 0 = Block 1 is write-protected
WRT0	CONFIG6L	Write Protection bit (Block 0 code memory area) 1 = Block 0 is not write-protected 0 = Block 0 is write-protected
WRTD	CONFIG6H	Write Protection bit (Data EEPROM) 1 = Data EEPROM is not write-protected 0 = Data EEPROM is write-protected
WRTB	CONFIG6H	Write Protection bit (Boot Block memory area) 1 = Boot Block is not write-protected 0 = Boot Block is write-protected
WRTC	CONFIG6H	Write Protection bit (Configuration registers) 1 = Configuration registers are not write-protected 0 = Configuration registers are write-protected

**Note 1:** The The BBSIZ bit, BBSIZ1:BBSIZ0 and BBSIZ1:BBSIZ2 bits cannot be changed once any of the following code-protect bits are enabled: CPB or CP0, WRTB or WRT0, EBTRB or EBTR0.

**2:** Not available in PIC18FXX8X and PIC18F2450/4450 devices.

**TABLE 5-3: PIC18F2XXX/4XXX FAMILY BIT DESCRIPTIONS (CONTINUED)**

Bit Name	Configuration Words	Description
EBTR5	CONFIG7L	Table Read Protection bit (Block 5 code memory area) <b>(PIC18F2685 and PIC18F4685 devices only)</b> 1 = Block 5 is not protected from table reads executed in other blocks 0 = Block 5 is protected from table reads executed in other blocks
EBTR4	CONFIG7L	Table Read Protection bit (Block 4 code memory area) <b>(PIC18F2682/2685 and PIC18F4682/4685 devices only)</b> 1 = Block 4 is not protected from table reads executed in other blocks 0 = Block 4 is protected from table reads executed in other blocks
EBTR3	CONFIG7L	Table Read Protection bit (Block 3 code memory area) Not 1 = Block 3 is not protected from table reads executed in other blocks 0 = Block 3 is protected from table reads executed in other blocks
EBTR2	CONFIG7L	Table Read Protection bit (Block 2 code memory area) <sup>(3)</sup> 1 = Block 2 is not protected from table reads executed in other blocks 0 = Block 2 is protected from table reads executed in other blocks
EBTR1	CONFIG7L	Table Read Protection bit (Block 1 code memory area) 1 = Block 1 is not protected from table reads executed in other blocks 0 = Block 1 is protected from table reads executed in other blocks
EBTR0	CONFIG7L	Table Read Protection bit (Block 0 code memory area) 1 = Block 0 is not protected from table reads executed in other blocks 0 = Block 0 is protected from table reads executed in other blocks
EBTRB	CONFIG7H	Table Read Protection bit (Boot Block memory area) 1 = Boot Block is not protected from table reads executed in other blocks 0 = Boot Block is protected from table reads executed in other blocks
DEV10:DEV3	DEVID2	Device ID bits These bits are used with the DEV2:DEV0 bits in the DEVID1 register to identify part number.
DEV2:DEV0	DEVID1	Device ID bits These bits are used with the DEV10:DEV3 bits in the DEVID2 register to identify part number.
REV4:REV0	DEVID1	Revision ID bits These bits are used to indicate the revision of the device. The REV4 bit is sometimes used to fully specify the device type.

**Note 1:** The The BBSIZ bit, BBSIZ1:BBSIZ0 and BBSIZ1:BBSIZ2 bits cannot be changed once any of the following code-protect bits are enabled: CPB or CP0, WRTB or WRT0, EBTRB or EBTR0.

**2:** Not available in PIC18FXX8X and PIC18F2450/4450 devices.

## 5.3 Single-Supply ICSP Programming

The LVP bit in Configuration register, CONFIG4L, enables Single-Supply (Low-Voltage) ICSP Programming. The LVP bit defaults to a '1' (enabled) from the factory.

If Single-Supply Programming mode is not used, the LVP bit can be programmed to a '0' and RB5/PGM becomes a digital I/O pin. However, the LVP bit may only be programmed by entering the High-Voltage ICSP mode, where MCLR/VPP/RE3 is raised to V<sub>IHH</sub>. Once the LVP bit is programmed to a '0', only the High-Voltage ICSP mode is available and only the High-Voltage ICSP mode can be used to program the device.

**Note 1:** The High-Voltage ICSP mode is always available, regardless of the state of the LVP bit, by applying V<sub>IHH</sub> to the MCLR/VPP/RE3 pin.

**2:** While in Low-Voltage ICSP mode, the RB5 pin can no longer be used as a general purpose I/O.

## 5.4 Embedding Configuration Word Information in the HEX File

To allow portability of code, a PIC18F2XXX/4XXX family programmer is required to read the Configuration Word locations from the hex file. If Configuration Word information is not present in the hex file, then a simple warning message should be issued. Similarly, while saving a hex file, all Configuration Word information must be included. An option to not include the Configuration Word information may be provided. When embedding Configuration Word information in the hex file, it should start at address 300000h.

Microchip Technology Inc. feels strongly that this feature is important for the benefit of the end customer.

## 5.5 Embedding Data EEPROM Information In the HEX File

To allow portability of code, a PIC18F2XXX/4XXX family programmer is required to read the data EEPROM information from the hex file. If data EEPROM information is not present, a simple warning message should be issued. Similarly, when saving a hex file, all data EEPROM information must be included. An option to not include the data EEPROM information may be provided. When embedding data EEPROM information in the hex file, it should start at address F00000h.

Microchip Technology Inc. believes that this feature is important for the benefit of the end customer.

## 5.6 Checksum Computation

The checksum is calculated by summing the following:

- The contents of all code memory locations
- The Configuration Words, appropriately masked
- ID locations (if any block is code-protected)

The Least Significant 16 bits of this sum is the checksum. The contents of the data EEPROM are not used.

### 5.6.1 PROGRAM MEMORY

When program memory contents are summed, each 16-bit word is added to the checksum. The contents of program memory, from 000000h to the end of the last program memory block, are used for this calculation. Overflows from bit 15 may be ignored.

### 5.6.2 CONFIGURATION WORDS

For checksum calculations, unimplemented bits in Configuration Words should be ignored as such bits always read back as '1's. Each 8-bit Configuration Word is ANDed with a corresponding mask to prevent unused bits from affecting checksum calculations.

The mask contains a '0' in unimplemented bit positions, or a '1' where a choice can be made. When ANDed with the value read out of a Configuration Word, only implemented bits remain. A list of suitable masks is provided in Table 5-5.

### 5.6.3 ID LOCATIONS

Normally, the contents of these locations are defined by the user, but MPLAB® IDE provides the option of writing the device's unprotected 16-bit checksum in the 16 Most Significant bits of the ID locations (see MPLAB IDE Configure/ID Memory" menu). The lower 16 bits are not used and remain clear. This is the sum of all program memory contents and Configuration Words (appropriately masked) before any code protection is enabled.

If the user elects to define the contents of the ID locations, nothing about protected blocks can be known. If the user uses the preprotected checksum provided by MPLAB IDE, an indirect characteristic of the programmed code is provided.

### 5.6.4 CODE PROTECTION

Blocks that are code-protected read back as all '0's and have no effect on checksum calculations. If any block is code-protected, then the contents of the ID locations are included in the checksum calculation.

All Configuration Words and the ID locations can always be read out normally, even when the device is fully code-protected. Checking the code protection settings in Configuration Words can direct which, if any, of the program memory blocks can be read and if the ID locations should be used for checksum calculations.



# PIC18F2XXX/4XXX FAMILY

**TABLE 5-4: DEVICE BLOCK LOCATIONS AND SIZES**

Device	Memory Size (Bytes)	Pins	Ending Address							Size (Bytes)			
			Boot Block	Block 0	Block 1	Block 2	Block 3	Block 4	Block 5	Boot Block	Block 0	Remaining Blocks	Device Total
PIC18F2221	4K	28	0001FF	0007FF	000FFF	—	—	—	—	512	1536	2048	4096
			0003FF							1024	1024		
PIC18F2321	8K	28	0001FF	000FFF	001FFF	—	—	—	—	512	3584	4096	8192
			0003FF							1024	3072		
			0007FF							2048	2048		
PIC18F2410	16K	28	0007FF	001FFF	003FFF	—	—	—	—	2048	6144	8192	16384
PIC18F2420	16K	28	0007FF	001FFF	003FFF	—	—	—	—	2048	6144	8192	16384
PIC18F2423	16K	28	0007FF	001FFF	003FFF	—	—	—	—	2048	6144	8192	16384
PIC18F2450	16K	28	0007FF	001FFF	003FFF	—	—	—	—	2048	6144	8192	16384
			000FFF							4096	4096		
PIC18F2455	24K	28	0007FF	001FFF	003FFF	005FFF	—	—	—	2048	6144	16384	24576
PIC18F2458	24K	28	0007FF	001FFF	003FFF	005FFF	—	—	—	2048	6144	16384	24576
PIC18F2480	16K	28	0007FF	001FFF	003FFF	—	—	—	—	2048	6144	8192	16384
			000FFF							4096	4096		
PIC18F2510	32K	28	0007FF	001FFF	003FFF	005FFF	007FFF	—	—	2048	6144	24576	32768
PIC18F2515	48K	28	0007FF	003FFF	007FFF	00BFFF	—	—	—	2048	14336	32768	49152
PIC18F2520	32K	28	0007FF	001FFF	003FFF	005FFF	007FFF	—	—	2048	14336	16384	32768
PIC18F2523	32K	28	0007FF	001FFF	003FFF	005FFF	007FFF	—	—	2048	14336	16384	32768
PIC18F2525	48K	28	0007FF	003FFF	007FFF	00BFFF	—	—	—	2048	14336	32768	49152
PIC18F2550	32K	28	0007FF	001FFF	003FFF	005FFF	007FFF	—	—	2048	6144	24576	32768
PIC18F2553	32K	28	0007FF	001FFF	003FFF	005FFF	007FFF	—	—	2048	6144	24576	32768
PIC18F2580	32K	28	0007FF	001FFF	003FFF	005FFF	007FFF	—	—	2048	6144	24576	32768
			000FFF							4096	4096		
PIC18F2585	48K	28	0007FF	003FFF	007FFF	00BFFF	—	—	—	2048	14336	32768	49152
			000FFF							4096	12288		
			001FFF							8192	8192		
PIC18F2610	64K	28	0007FF	003FFF	007FFF	00BFFF	00FFFF	—	—	2048	14336	49152	65536
PIC18F2620	64K	28	0007FF	003FFF	007FFF	00BFFF	00FFFF	—	—	2048	14336	49152	65536
PIC18F2680	64K	28	0007FF	003FFF	007FFF	00BFFF	00FFFF	—	—	2048	14336	49152	65536
			000FFF							4096	12288		
			001FFF							8192	8192		
PIC18F2682	80K	28	0007FF	003FFF	007FFF	00BFFF	00FFFF	013FFF	—	2048	14336	65536	81920
			000FFF							4096	12288		
			001FFF							8192	8192		
PIC18F2685	96K	28	0007FF	003FFF	007FFF	00BFFF	00FFFF	013FFF	017FFF	2048	14336	81920	98304
			000FFF							4096	12288		
			001FFF							8192	8192		
PIC18F4221	4K	40	0001FF	0007FF	000FFF	—	—	—	—	512	1536	2048	4096
			0003FF							1024	1024		
PIC18F4321	8K	40	0001FF	000FFF	001FFF	—	—	—	—	512	3584	4096	8192
			0003FF							1024	3072		
			0007FF							2048	2048		
PIC18F4410	16K	40	0007FF	001FFF	003FFF	—	—	—	—	2048	6144	8192	16384
PIC18F4420	16K	40	0007FF	001FFF	003FFF	—	—	—	—	2048	6144	8192	16384
PIC18F4423	16K	40	0007FF	001FFF	003FFF	—	—	—	—	2048	6144	8192	16384
PIC18F4450	16K	40	0007FF	001FFF	003FFF	—	—	—	—	2048	6144	8192	16384
			000FFF							4096	4096		

**Legend:** — = unimplemented.

# PIC18F2XXX/4XXX FAMILY

**TABLE 5-4: DEVICE BLOCK LOCATIONS AND SIZES (CONTINUED)**

Device	Memory Size (Bytes)	Pins	Ending Address							Size (Bytes)			
			Boot Block	Block 0	Block 1	Block 2	Block 3	Block 4	Block 5	Boot Block	Block 0	Remaining Blocks	Device Total
PIC18F4455	24K	40	0007FF	001FFF	003FFF	005FFF	—	—	—	2048	6144	16384	24576
PIC18F4458	24K	40	0007FF	001FFF	003FFF	005FFF	—	—	—	2048	6144	16384	24576
PIC18F4480	16K	40	0007FF	001FFF	003FFF	—	—	—	—	2048	6144	8192	16384
			000FFF							4096	4096		
PIC18F4510	32K	40	0007FF	001FFF	003FFF	005FFF	007FFF	—	—	2048	6144	24576	32768
PIC18F4515	48K	40	0007FF	003FFF	007FFF	00BFFF	—	—	—	2048	14336	32768	49152
PIC18F4520	32K	40	0007FF	001FFF	003FFF	005FFF	007FFF	—	—	2048	14336	16384	32768
PIC18F4523	32K	40	0007FF	001FFF	003FFF	005FFF	007FFF	—	—	2048	14336	16384	32768
PIC18F4525	48K	40	0007FF	003FFF	007FFF	00BFFF	—	—	—	2048	14336	32768	49152
PIC18F4550	32K	40	0007FF	001FFF	003FFF	005FFF	007FFF	—	—	2048	6144	24576	32768
PIC18F4553	32K	40	0007FF	001FFF	003FFF	005FFF	007FFF	—	—	2048	6144	24576	32768
PIC18F4580	32K	40	0007FF	001FFF	003FFF	005FFF	007FFF	—	—	2048	6144	24576	32768
			000FFF							4096	4096		
PIC18F4585	48K	40	0007FF	003FFF	007FFF	00BFFF	—	—	—	2048	14336	32768	49152
			000FFF							4096	12288		
			001FFF							8192	8192		
PIC18F4610	64K	40	0007FF	003FFF	007FFF	00BFFF	00FFFF	—	—	2048	14336	49152	65536
PIC18F4620	64K	40	0007FF	003FFF	007FFF	00BFFF	00FFFF	—	—	2048	14336	49152	65536
PIC18F4680	64K	40	0007FF	003FFF	007FFF	00BFFF	00FFFF	—	—	2048	14336	49152	65536
			000FFF							4096	12288		
			001FFF							8192	8192		
PIC18F4682	80K	40	0007FF	003FFF	007FFF	00BFFF	00FFFF	013FFF	—	2048	14336	65536	81920
			000FFF							4096	12288		
			001FFF							8192	8192		
PIC18F4685	96K	44	0007FF	003FFF	007FFF	00BFFF	00FFFF	013FFF	017FFF	2048	14336	81920	98304
			000FFF							4096	12288		
			001FFF							8192	8192		

**Legend:** — = unimplemented.

**TABLE 5-5: CONFIGURATION WORD MASKS FOR COMPUTING CHECKSUMS**

Device	Configuration Word (CONFIGxx)													
	1L	1H	2L	2H	3L	3H	4L	4H	5L	5H	6L	6H	7L	7H
	Address (30000xh)													
	0h	1h	2h	3h	4h	5h	6h	7h	8h	9h	Ah	Bh	Ch	Dh
PIC18F2221	00	CF	1F	1F	00	87	F5	00	03	C0	03	E0	03	40
PIC18F2321	00	CF	1F	1F	00	87	F5	00	03	C0	03	E0	03	40
PIC18F2410	00	CF	1F	1F	00	87	C5	00	03	C0	03	E0	03	40
PIC18F2420	00	CF	1F	1F	00	87	C5	00	03	C0	03	E0	03	40
PIC18F2423	00	CF	1F	1F	00	87	C5	00	03	C0	03	E0	03	40
PIC18F2450	3F	CF	3F	1F	00	86	ED	00	03	40	03	60	03	40
PIC18F2455	3F	CF	3F	1F	00	87	E5	00	07	C0	07	E0	07	40
PIC18F2458	3F	CF	3F	1F	00	87	E5	00	07	C0	07	E0	07	40
PIC18F2480	00	CF	1F	1F	00	86	E5	00	0F	C0	0F	E0	0F	40
PIC18F2510	00	1F	1F	1F	00	87	C5	00	0F	C0	0F	E0	0F	40
PIC18F2515	00	CF	1F	1F	00	87	C5	00	0F	C0	0F	E0	0F	40
PIC18F2520	00	CF	1F	1F	00	87	C5	00	0F	C0	0F	E0	0F	40
PIC18F2523	00	CF	1F	1F	00	87	C5	00	0F	C0	0F	E0	0F	40
PIC18F2525	00	CF	1F	1F	00	87	C5	00	0F	C0	0F	E0	0F	40
PIC18F2550	3F	CF	3F	1F	00	87	E5	00	0F	C0	0F	E0	0F	40
PIC18F2553	3F	CF	3F	1F	00	87	E5	00	0F	C0	0F	E0	0F	40
PIC18F2580	00	CF	1F	1F	00	86	E5	00	0F	C0	0F	E0	0F	40
PIC18F2585	00	CF	1F	1F	00	86	C5	00	0F	C0	0F	E0	0F	40
PIC18F2610	00	CF	1F	1F	00	87	C5	00	0F	C0	0F	E0	0F	40
PIC18F2620	00	CF	1F	1F	00	87	C5	00	0F	C0	0F	E0	0F	40
PIC18F2680	00	CF	1F	1F	00	86	C5	00	0F	C0	0F	E0	0F	40
PIC18F2682	00	CF	1F	1F	00	86	C5	00	3F	C0	3F	E0	3F	40
PIC18F2685	00	CF	1F	1F	00	86	C5	00	3F	C0	3F	E0	3F	40
PIC18F4221	00	CF	1F	1F	00	87	F5	00	03	C0	03	E0	03	40
PIC18F4321	00	CF	1F	1F	00	87	F5	00	03	C0	03	E0	03	40
PIC18F4410	00	CF	1F	1F	00	87	C5	00	03	C0	03	E0	03	40
PIC18F4420	00	CF	1F	1F	00	87	C5	00	03	C0	03	E0	03	40
PIC18F4423	00	CF	1F	1F	00	87	C5	00	03	C0	03	E0	03	40
PIC18F4450	3F	CF	3F	1F	00	86	ED	00	03	40	03	60	03	40
PIC18F4455	3F	CF	3F	1F	00	87	E5	00	07	C0	07	E0	07	40
PIC18F4458	3F	CF	3F	1F	00	87	E5	00	07	C0	07	E0	07	40
PIC18F4480	00	CF	1F	1F	00	86	E5	00	0F	C0	0F	E0	0F	40
PIC18F4510	00	CF	1F	1F	00	87	C5	00	0F	C0	0F	E0	0F	40
PIC18F4515	00	CF	1F	1F	00	87	C5	00	0F	C0	0F	E0	0F	40
PIC18F4520	00	CF	1F	1F	00	87	C5	00	0F	C0	0F	E0	0F	40
PIC18F4523	00	CF	1F	1F	00	87	C5	00	0F	C0	0F	E0	0F	40
PIC18F4525	00	CF	1F	1F	00	87	C5	00	0F	C0	0F	E0	0F	40
PIC18F4550	3F	CF	3F	1F	00	87	E5	00	0F	C0	0F	E0	0F	40
PIC18F4553	3F	CF	3F	1F	00	87	E5	00	0F	C0	0F	E0	0F	40
PIC18F4580	00	CF	1F	1F	00	86	E5	00	0F	C0	0F	E0	0F	40
PIC18F4585	00	CF	1F	1F	00	86	C5	00	0F	C0	0F	E0	0F	40
PIC18F4610	00	CF	1F	1F	00	87	C5	00	0F	C0	0F	E0	0F	40

**Legend:** Shaded cells are unimplemented.

# PIC18F2XXX/4XXX FAMILY

**TABLE 5-5: CONFIGURATION WORD MASKS FOR COMPUTING CHECKSUMS (CONTINUED)**

Device	Configuration Word (CONFIGxx)													
	1L	1H	2L	2H	3L	3H	4L	4H	5L	5H	6L	6H	7L	7H
	Address (30000xh)													
	0h	1h	2h	3h	4h	5h	6h	7h	8h	9h	Ah	Bh	Ch	Dh
PIC18F4620	00	CF	1F	1F	00	87	C5	00	0F	C0	0F	E0	0F	40
PIC18F4680	00	CF	1F	1F	00	86	C5	00	0F	C0	0F	E0	0F	40
PIC18F4682	00	CF	1F	1F	00	86	C5	00	3F	C0	3F	E0	3F	40
PIC18F4685	00	CF	1F	1F	00	86	C5	00	3F	C0	3F	E0	3F	40

**Legend:** Shaded cells are unimplemented.

**6.0 AC/DC CHARACTERISTICS TIMING REQUIREMENTS FOR PROGRAM/VERIFY TEST MODE**

Standard Operating Conditions						
Operating Temperature: 25°C is recommended						
Param No.	Sym	Characteristic	Min	Max	Units	Conditions
D110	VIHH	High-Voltage Programming Voltage on MCLR/VPP/RE3	VDD + 4.0	12.5	V	(Note 2)
D110A	VIHL	Low-Voltage Programming Voltage on MCLR/VPP/RE3	2.00	5.50	V	(Note 2)
D111	VDD	Supply Voltage During Programming	2.00	5.50	V	Externally timed, Row Erases and all writes
			3.0	5.50	V	Self-timed, Bulk Erases only (Note 3)
D112	IPP	Programming Current on MCLR/VPP/RE3	—	300	μA	(Note 2)
D113	IDDP	Supply Current During Programming	—	10	mA	
D031	VIL	Input Low Voltage	VSS	0.2 VDD	V	
D041	VIH	Input High Voltage	0.8 VDD	VDD	V	
D080	VoL	Output Low Voltage	—	0.6	V	IoL = 8.5 mA @ 4.5V
D090	VoH	Output High Voltage	VDD – 0.7	—	V	IoH = -3.0 mA @ 4.5V
D012	CIO	Capacitive Loading on I/O pin (PGD)	—	50	pF	To meet AC specifications
P1	TR	MCLR/VPP/RE3 Rise Time to Enter Program/Verify mode	—	1.0	μs	(Notes 1, 2)
P2	TPGC	Serial Clock (PGC) Period	100	—	ns	VDD = 5.0V
			1	—	μs	VDD = 2.0V
P2A	TPGCL	Serial Clock (PGC) Low Time	40	—	ns	VDD = 5.0V
			400	—	ns	VDD = 2.0V
P2B	TPGCH	Serial Clock (PGC) High Time	40	—	ns	VDD = 5.0V
			400	—	ns	VDD = 2.0V
P3	TSET1	Input Data Setup Time to Serial Clock ↓	15	—	ns	
P4	THLD1	Input Data Hold Time from PGC ↓	15	—	ns	
P5	TDLY1	Delay Between 4-Bit Command and Command Operand	40	—	ns	
P5A	TDLY1A	Delay Between 4-Bit Command Operand and Next 4-Bit Command	40	—	ns	
P6	TDLY2	Delay Between Last PGC ↓ of Command Byte to First PGC ↑ of Read of Data Word	20	—	ns	
P9	TDLY5	PGC High Time (minimum programming time)	1	—	ms	Externally timed
P10	TDLY6	PGC Low Time After Programming (high-voltage discharge time)	100	—	μs	
P11	TDLY7	Delay to Allow Self-Timed Data Write or Bulk Erase to Occur	5	—	ms	

- Note 1:** Do not allow excess time when transitioning MCLR between VIL and VIHH. This can cause spurious program executions to occur. The maximum transition time is:  
 1 TCY + TPWRT (if enabled) + 1024 TOSC (for LP, HS, HS/PLL and XT modes only) +  
 2 ms (for HS/PLL mode only) + 1.5 μs (for EC mode only)  
 where TCY is the instruction cycle time, TPWRT is the Power-up Timer period and TOSC is the oscillator period. For specific values, refer to the Electrical Characteristics section of the device data sheet for the particular device.
- 2:** When ICPRT = 1, this specification also applies to ICPVP.
- 3:** At 0°C-50°C.

# PIC18F2XXX/4XXX FAMILY

## 6.0 AC/DC CHARACTERISTICS TIMING REQUIREMENTS FOR PROGRAM/VERIFY TEST MODE (CONTINUED)

Standard Operating Conditions						
Operating Temperature: 25°C is recommended						
Param No.	Sym	Characteristic	Min	Max	Units	Conditions
P11A	TDRWT	Data Write Polling Time	4	—	ms	
P12	THLD2	Input Data Hold Time from $\overline{\text{MCLR}}/\text{VPP}/\text{RE3} \uparrow$	2	—	μs	
P13	TSET2	VDD $\uparrow$ Setup Time to $\overline{\text{MCLR}}/\text{VPP}/\text{RE3} \uparrow$	100	—	ns	(Note 2)
P14	TVALID	Data Out Valid from PGC $\uparrow$	10	—	ns	
P15	TSET3	PGM $\uparrow$ Setup Time to $\overline{\text{MCLR}}/\text{VPP}/\text{RE3} \uparrow$	2	—	μs	(Note 2)
P16	TDLY8	Delay Between Last PGC $\downarrow$ and $\overline{\text{MCLR}}/\text{VPP}/\text{RE3} \downarrow$	0	—	s	
P17	THLD3	$\overline{\text{MCLR}}/\text{VPP}/\text{RE3} \downarrow$ to VDD $\downarrow$	—	100	ns	
P18	THLD4	$\overline{\text{MCLR}}/\text{VPP}/\text{RE3} \downarrow$ to PGM $\downarrow$	0	—	s	

- Note 1:** Do not allow excess time when transitioning  $\overline{\text{MCLR}}$  between  $V_{IL}$  and  $V_{IH}$ . This can cause spurious program executions to occur. The maximum transition time is:  
 $1 T_{CY} + T_{PWRT}$  (if enabled) +  $1024 T_{OSC}$  (for LP, HS, HS/PLL and XT modes only) +  
 $2 \text{ ms}$  (for HS/PLL mode only) +  $1.5 \mu\text{s}$  (for EC mode only)  
 where  $T_{CY}$  is the instruction cycle time,  $T_{PWRT}$  is the Power-up Timer period and  $T_{OSC}$  is the oscillator period. For specific values, refer to the Electrical Characteristics section of the device data sheet for the particular device.
- 2:** When  $\text{ICPRT} = 1$ , this specification also applies to  $\text{ICVPP}$ .
- 3:** At 0°C-50°C.

---

---

**Note the following details of the code protection feature on Microchip devices:**

- Microchip products meet the specification contained in their particular Microchip Data Sheet.
- Microchip believes that its family of products is one of the most secure families of its kind on the market today, when used in the intended manner and under normal conditions.
- There are dishonest and possibly illegal methods used to breach the code protection feature. All of these methods, to our knowledge, require using the Microchip products in a manner outside the operating specifications contained in Microchip's Data Sheets. Most likely, the person doing so is engaged in theft of intellectual property.
- Microchip is willing to work with the customer who is concerned about the integrity of their code.
- Neither Microchip nor any other semiconductor manufacturer can guarantee the security of their code. Code protection does not mean that we are guaranteeing the product as "unbreakable."

Code protection is constantly evolving. We at Microchip are committed to continuously improving the code protection features of our products. Attempts to break Microchip's code protection feature may be a violation of the Digital Millennium Copyright Act. If such acts allow unauthorized access to your software or other copyrighted work, you may have a right to sue for relief under that Act.

---

Information contained in this publication regarding device applications and the like is provided only for your convenience and may be superseded by updates. It is your responsibility to ensure that your application meets with your specifications. MICROCHIP MAKES NO REPRESENTATIONS OR WARRANTIES OF ANY KIND WHETHER EXPRESS OR IMPLIED, WRITTEN OR ORAL, STATUTORY OR OTHERWISE, RELATED TO THE INFORMATION, INCLUDING BUT NOT LIMITED TO ITS CONDITION, QUALITY, PERFORMANCE, MERCHANTABILITY OR FITNESS FOR PURPOSE. Microchip disclaims all liability arising from this information and its use. Use of Microchip devices in life support and/or safety applications is entirely at the buyer's risk, and the buyer agrees to defend, indemnify and hold harmless Microchip from any and all damages, claims, suits, or expenses resulting from such use. No licenses are conveyed, implicitly or otherwise, under any Microchip intellectual property rights.

**Trademarks**

The Microchip name and logo, the Microchip logo, Accuron, dsPIC, KEELOQ, KEELOQ logo, microID, MPLAB, PIC, PICmicro, PICSTART, PRO MATE, rPIC and SmartShunt are registered trademarks of Microchip Technology Incorporated in the U.S.A. and other countries.


AmpLab, FilterLab, Linear Active Thermistor, Migratable Memory, MXDEV, MXLAB, SEEVAL, SmartSensor and The Embedded Control Solutions Company are registered trademarks of Microchip Technology Incorporated in the U.S.A.

Analog-for-the-Digital Age, Application Maestro, CodeGuard, dsPICDEM, dsPICDEM.net, dsPICworks, ECAN, ECONOMONITOR, FanSense, FlexROM, fuzzyLAB, In-Circuit Serial Programming, ICSP, ICEPIC, Mindi, MiWi, MPASM, MPLAB Certified logo, MPLIB, MPLINK, PICkit, PICDEM, PICDEM.net, PICLAB, PICtail, PowerCal, PowerInfo, PowerMate, PowerTool, REAL ICE, rLAB, Select Mode, Smart Serial, SmartTel, Total Endurance, UNI/O, WiperLock and ZENA are trademarks of Microchip Technology Incorporated in the U.S.A. and other countries.

SQTP is a service mark of Microchip Technology Incorporated in the U.S.A.

All other trademarks mentioned herein are property of their respective companies.

© 2007, Microchip Technology Incorporated, Printed in the U.S.A., All Rights Reserved.

 Printed on recycled paper.

**QUALITY MANAGEMENT SYSTEM**  
**CERTIFIED BY DNV**  
**== ISO/TS 16949:2002 ==**

*Microchip received ISO/TS-16949:2002 certification for its worldwide headquarters, design and wafer fabrication facilities in Chandler and Tempe, Arizona; Gresham, Oregon and design centers in California and India. The Company's quality system processes and procedures are for its PIC® MCUs and dsPIC® DSCs, KEELOQ® code hopping devices, Serial EEPROMs, microperipherals, nonvolatile memory and analog products. In addition, Microchip's quality system for the design and manufacture of development systems is ISO 9001:2000 certified.*



---

---

## WORLDWIDE SALES AND SERVICE

---

---

### AMERICAS

**Corporate Office**  
2355 West Chandler Blvd.  
Chandler, AZ 85224-6199  
Tel: 480-792-7200  
Fax: 480-792-7277  
Technical Support:  
<http://support.microchip.com>  
Web Address:  
[www.microchip.com](http://www.microchip.com)

**Atlanta**  
Duluth, GA  
Tel: 678-957-9614  
Fax: 678-957-1455

**Boston**  
Westborough, MA  
Tel: 774-760-0087  
Fax: 774-760-0088

**Chicago**  
Itasca, IL  
Tel: 630-285-0071  
Fax: 630-285-0075

**Dallas**  
Addison, TX  
Tel: 972-818-7423  
Fax: 972-818-2924

**Detroit**  
Farmington Hills, MI  
Tel: 248-538-2250  
Fax: 248-538-2260

**Kokomo**  
Kokomo, IN  
Tel: 765-864-8360  
Fax: 765-864-8387

**Los Angeles**  
Mission Viejo, CA  
Tel: 949-462-9523  
Fax: 949-462-9608

**Santa Clara**  
Santa Clara, CA  
Tel: 408-961-6444  
Fax: 408-961-6445

**Toronto**  
Mississauga, Ontario,  
Canada  
Tel: 905-673-0699  
Fax: 905-673-6509

### ASIA/PACIFIC

**Asia Pacific Office**  
Suites 3707-14, 37th Floor  
Tower 6, The Gateway  
Harbour City, Kowloon  
Hong Kong  
Tel: 852-2401-1200  
Fax: 852-2401-3431

**Australia - Sydney**  
Tel: 61-2-9868-6733  
Fax: 61-2-9868-6755

**China - Beijing**  
Tel: 86-10-8528-2100  
Fax: 86-10-8528-2104

**China - Chengdu**  
Tel: 86-28-8665-5511  
Fax: 86-28-8665-7889

**China - Fuzhou**  
Tel: 86-591-8750-3506  
Fax: 86-591-8750-3521

**China - Hong Kong SAR**  
Tel: 852-2401-1200  
Fax: 852-2401-3431

**China - Qingdao**  
Tel: 86-532-8502-7355  
Fax: 86-532-8502-7205

**China - Shanghai**  
Tel: 86-21-5407-5533  
Fax: 86-21-5407-5066

**China - Shenyang**  
Tel: 86-24-2334-2829  
Fax: 86-24-2334-2393

**China - Shenzhen**  
Tel: 86-755-8203-2660  
Fax: 86-755-8203-1760

**China - Shunde**  
Tel: 86-757-2839-5507  
Fax: 86-757-2839-5571

**China - Wuhan**  
Tel: 86-27-5980-5300  
Fax: 86-27-5980-5118

**China - Xian**  
Tel: 86-29-8833-7250  
Fax: 86-29-8833-7256

### ASIA/PACIFIC

**India - Bangalore**  
Tel: 91-80-4182-8400  
Fax: 91-80-4182-8422

**India - New Delhi**  
Tel: 91-11-4160-8631  
Fax: 91-11-4160-8632

**India - Pune**  
Tel: 91-20-2566-1512  
Fax: 91-20-2566-1513

**Japan - Yokohama**  
Tel: 81-45-471-6166  
Fax: 81-45-471-6122

**Korea - Gumi**  
Tel: 82-54-473-4301  
Fax: 82-54-473-4302

**Korea - Seoul**  
Tel: 82-2-554-7200  
Fax: 82-2-558-5932 or  
82-2-558-5934

**Malaysia - Penang**  
Tel: 60-4-646-8870  
Fax: 60-4-646-5086

**Philippines - Manila**  
Tel: 63-2-634-9065  
Fax: 63-2-634-9069

**Singapore**  
Tel: 65-6334-8870  
Fax: 65-6334-8850

**Taiwan - Hsin Chu**  
Tel: 886-3-572-9526  
Fax: 886-3-572-6459

**Taiwan - Kaohsiung**  
Tel: 886-7-536-4818  
Fax: 886-7-536-4803

**Taiwan - Taipei**  
Tel: 886-2-2500-6610  
Fax: 886-2-2508-0102

**Thailand - Bangkok**  
Tel: 66-2-694-1351  
Fax: 66-2-694-1350

### EUROPE

**Austria - Wels**  
Tel: 43-7242-2244-39  
Fax: 43-7242-2244-393

**Denmark - Copenhagen**  
Tel: 45-4450-2828  
Fax: 45-4485-2829

**France - Paris**  
Tel: 33-1-69-53-63-20  
Fax: 33-1-69-30-90-79

**Germany - Munich**  
Tel: 49-89-627-144-0  
Fax: 49-89-627-144-44

**Italy - Milan**  
Tel: 39-0331-742611  
Fax: 39-0331-466781

**Netherlands - Drunen**  
Tel: 31-416-690399  
Fax: 31-416-690340

**Spain - Madrid**  
Tel: 34-91-708-08-90  
Fax: 34-91-708-08-91

**UK - Wokingham**  
Tel: 44-118-921-5869  
Fax: 44-118-921-5820